

AXIS-FP

Axial smoke extraction fan

Use

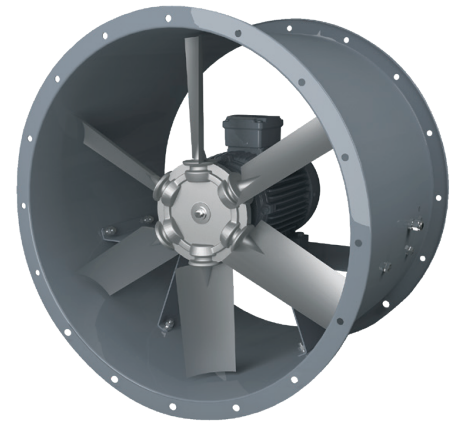
- The fans are used for extraction of smoke in case of fire and removal of hot air outside. The fans are also used for general ventilation systems.
- The fans are rated for permanent operation at ambient air temperatures from -60 °C up to +50 °C (depends on climatic category, see the Designation key). The fans are able to operate 2 hours at the temperatures +200 °C, +300 °C and +400 °C.



Air flow:
up to 108 000 m³/h



Fire resistance rating:
200 °C/2 hours
300 °C/2 hours
400 °C/2 hours



Design

- The fan consists of the casing, impeller and motor. The metal casing with rolled flanges helps achieve outstanding rigidity and minimum clearances between the casing and the blades. There is an inspection hatch in the casing for easy maintenance.
- All the casing components are powder coated for improved protection against the environmental effects.
- The weight of the fans may differ from the one stated in the catalogue and depends on the components used (motor, terminal box, etc.).

Motor

- The fans are equipped with three-phase (400 V/50 Hz) motors. Depending on the model, the fans have single- or double-speed modifications.
- The single-speed models are equipped with 2-, 4- or 6-pole motors.
- The double-speed models are equipped with 2/4- or 4/8-pole motors.

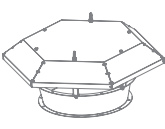
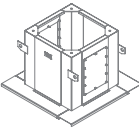
Impeller

- Depending on the size and the required air capacity the fans are equipped with impellers with 6 or 8 blades angled from 20° to 50° with from 2.5 up to 5° stepping to ensure precise matching of fans with the operating point.
- The specially designed impeller blades ensure high efficiency of the fan while keeping noise well under control.
- The impellers are dynamically balanced. Low weight and low moment of the impeller inertia help reduce the fan start-up time.
- The fan blades are made of cast aluminium.

Mounting

- The fans can be mounted on any flat surface or directly into a ventilation duct. The units are suitable for both horizontal and vertical configurations.
- Installation in the air duct requires flanges to attach the fan to the ductwork.
- To attach the fan to the floor, a wall or the ceiling use the O-AF carriers (not included as standard, should be purchased separately).
- The fans are suitable for installation on rooftops.

Accessories

Carrier	Flange	Flexible joint	Hood	Roof adapter	Mounting curb	Inlet cone
						
O-AF	F-AF	EVAF-AF...400/2	Z-AF	PK-AF	SM-AF	VK-AF

Designation key

Casing
Motor
Impeller
Modification
AXIS-FP 630 K - 2 D / 5.5 - 8 / 35 / AL - U 1 - 300/2

Axis-FP: Axial smoke extraction fan

Standard size (dict diameter) [mm]

Modification:

- _: standard casing;
- K: shortened casing

Number of the motor poles

Motor phase:

- E: single-phase;
- D: three-phase

Motor power [kW]

Number of the impeller blades [items]

Blade setting angle [°]

Blade material: AL: Aluminium

Climatic category:

- U: moderate climate (-40 ... +40 °C)
- HL: cold climate (-60 ... +40 °C)
- UHL: moderate and cold climate (-60 ... +40 °C)
- T: tropical climate (-10 ... +50 °C)
- M: maritime moderately cold climate (-40 ... +40 °C)
- O: general climatic modification (except maritime climate) (-60 ... +50 °C)
- OM: general maritime climatic modification (-40 ... +40 °C)
- V: universal climatic modification (-60 ... +50 °C)


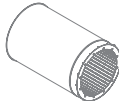
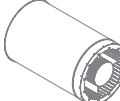
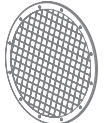
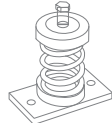
Placement category:

- 1: outdoors
- 2: under a shed or indoors with the same conditions as outdoors except solar radiation and precipitation
- 3: in closed rooms without artificial climate control
- 4: in closed rooms with artificial climate control (ventilation, heating)
- 5: in rooms with high levels of humidity, without artificial climate control

Fire resistance rating:

- 200/2: 200 °C, 2 hours
- 300/2: 300 °C, 2 hours
- 400/2: 400 °C, 2 hours

AXIS-FP

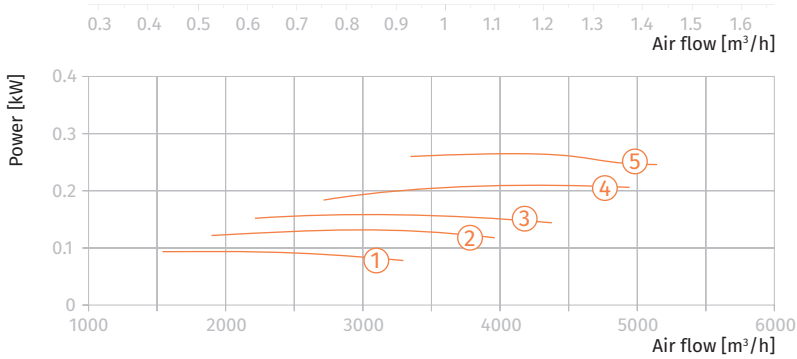
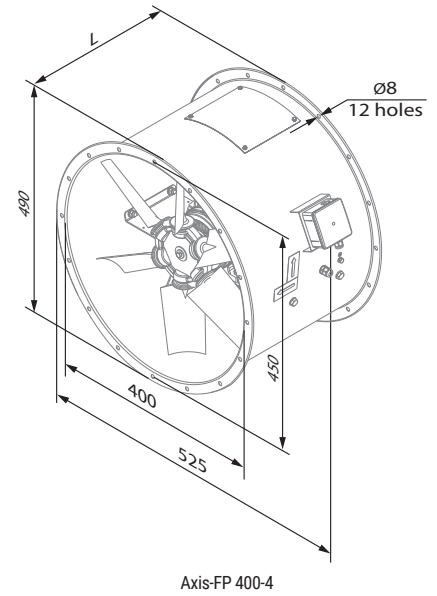
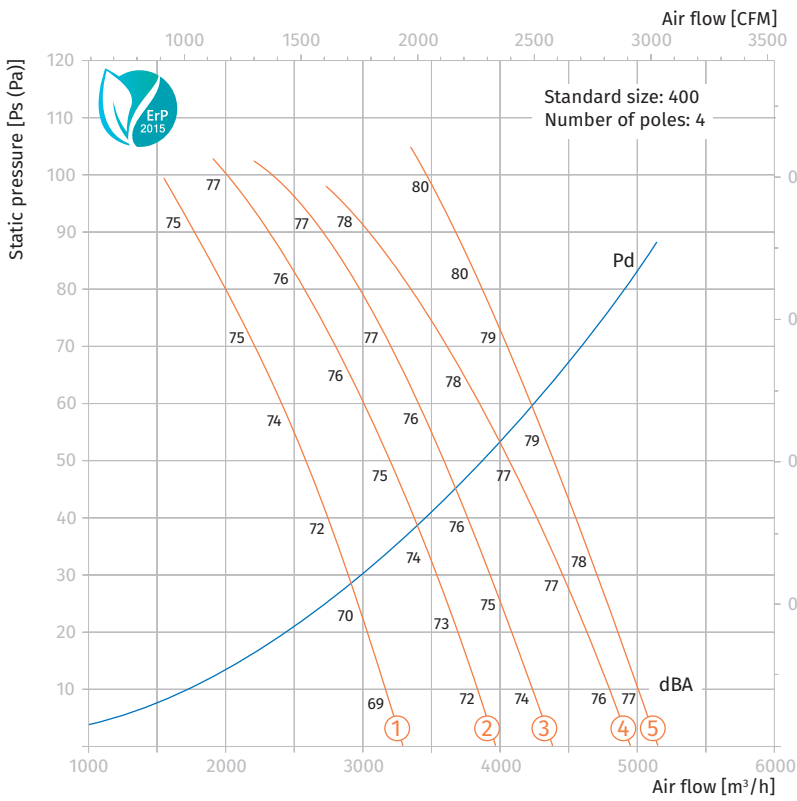
Accessories				
Backdraft damper	Silencer	Protective mesh	Anti-vibration mount	
				
VRV-AF...400/2	SD	SDV	SZ-AF	SIF-AF

Technical data

AXIS-FP 400-4

Size	Number of poles	Voltage [V / 50 Hz]	Model	Installed motor power N_y [kW]	RPM [min ⁻¹]	Number of blades	Blade setting angle [°]	Weight [kg]	Lenght L [mm]	Curve number on graph
400	4	3~400	Axis-FP 400-4D/0.55-6/30/AL	0.55	1440	6	30	26.5	400	①
			Axis-FP 400-4D/0.55-6/35/AL	0.55	1440	6	35	26.5	400	②
			Axis-FP 400-4D/0.55-6/40/AL	0.55	1440	6	40	26.5	400	③
			Axis-FP 400-4D/0.55-6/45/AL	0.55	1440	6	45	26.5	400	④
			Axis-FP 400-4D/0.55-8/45/AL	0.55	1440	8	45	27	400	⑤

Aerodynamic characteristics



AXIS-FP 400

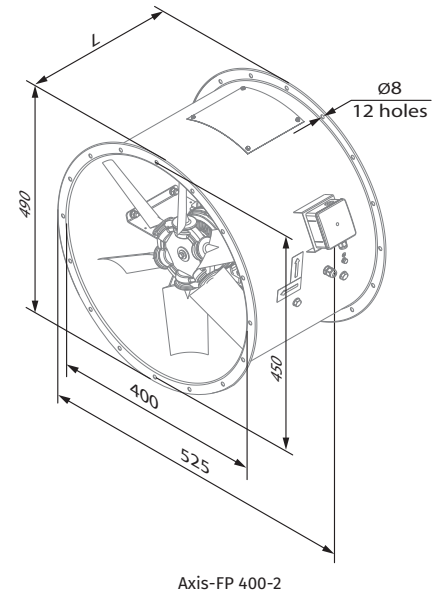
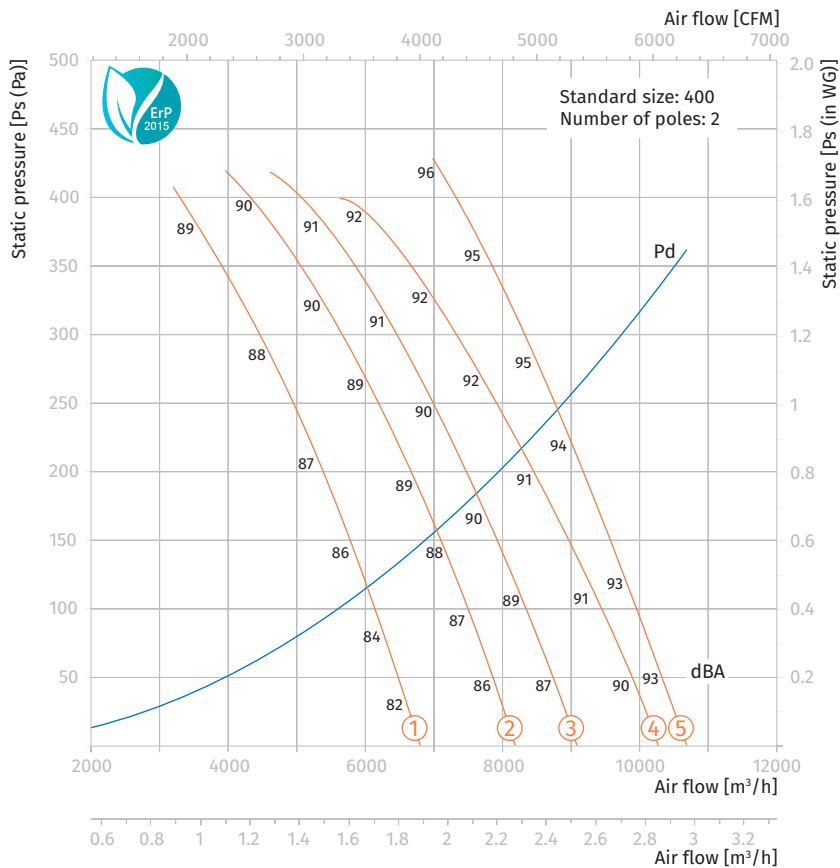
Technical data

AXIS-FP 400-2

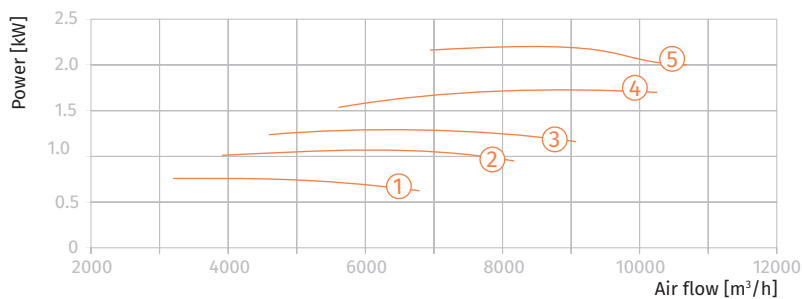
Size	Number of poles	Voltage [V / 50 Hz]	Model	Installed motor power N_y [kW]	RPM [min^{-1}]	Number of blades	Blade setting angle [°]	Weight [kg]	Length L [mm]	Curve number on graph
400	2	3~400	Axis-FP 400-2D/0.75-6/30/AL	0.75	2880	6	30	26.5	400	①
			Axis-FP 400-2D/1.1-6/35/AL	1.1	2880	6	35	27.5	400	②
			Axis-FP 400-2D/1.5-6/40/AL	1.5	2880	6	40	32.5	400	③
			Axis-FP 400-2D/2.2-6/45/AL	2.2	2880	6	45	34.5	400	④
			Axis-FP 400-2D/2.2-8/45/AL	2.2	2880	8	45	35	400	⑤
400	2/4	3~400	Axis-FP 400-2/4D/0.8/0.2-6/30/AL	0.8/0.2	2880/1440	6	30	26.5	400	①*
			Axis-FP 400-2/4D/1.1/0.25-6/35/AL	1.1/0.25	2880/1440	6	35	27.5	400	②*
			Axis-FP 400-2/4D/1.5/0.37-6/40/AL	1.5/0.37	2880/1440	6	40	32.5	400	③*
			Axis-FP 400-2/4D/2.2/0.5-6/45/AL	2.2/0.5	2880/1440	6	45	34.5	400	④*
			Axis-FP 400-2/4D/2.2/0.5-8/45/AL	2.2/0.5	2880/1440	8	45	35	400	⑤*

* maximum speed graph

Aerodynamic characteristics



AXIS-FP 400

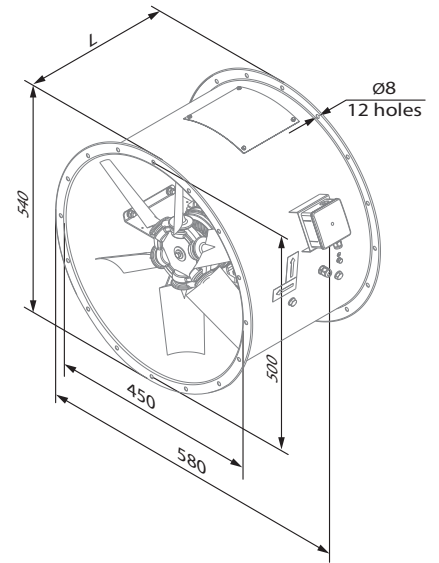
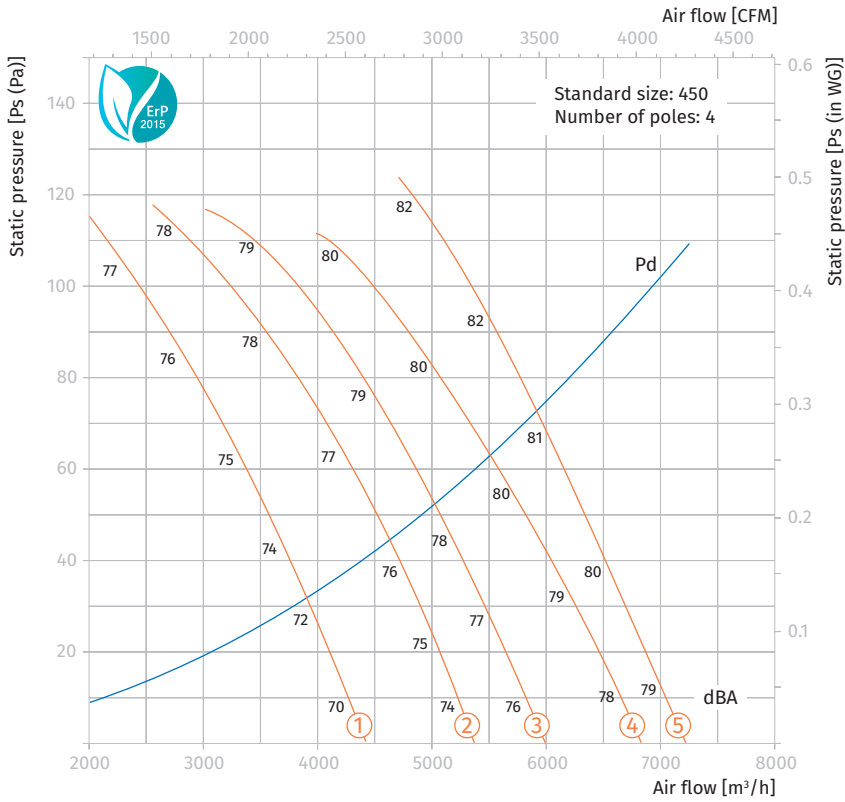


Technical data

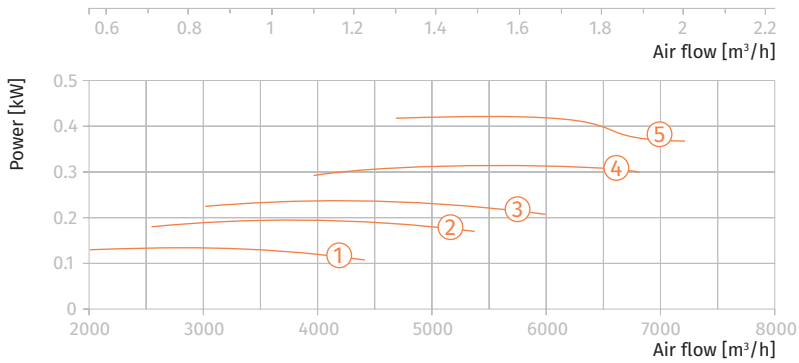
AXIS-FP 450-4

Size	Number of poles	Voltage [V / 50 Hz]	Model	Installed motor power Ny [kW]	RPM [min ⁻¹]	Number of blades	Blade setting angle [°]	Weight [kg]	Lenght L [mm]	Curve number on graph
450	4	3~400	Axis-FP 450-4D/0.55-6/30/AL	0.55	1440	6	30	36.1	400	①
			Axis-FP 450-4D/0.55-6/35/AL	0.55	1440	6	35	36.1	400	②
			Axis-FP 450-4D/0.55-6/40/AL	0.55	1440	6	40	36.1	400	③
			Axis-FP 450-4D/0.55-6/45/AL	0.55	1440	6	45	36.1	400	④
			Axis-FP 450-4D/0.55-8/45/AL	0.55	1440	8	45	36.6	400	⑤

Aerodynamic characteristics



Axis-FP 400-4



AXIS-FP 450

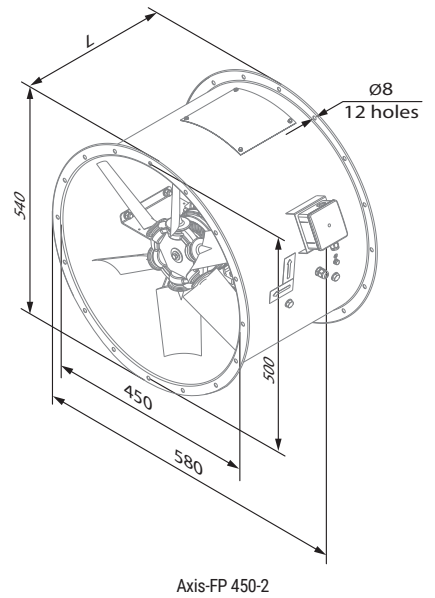
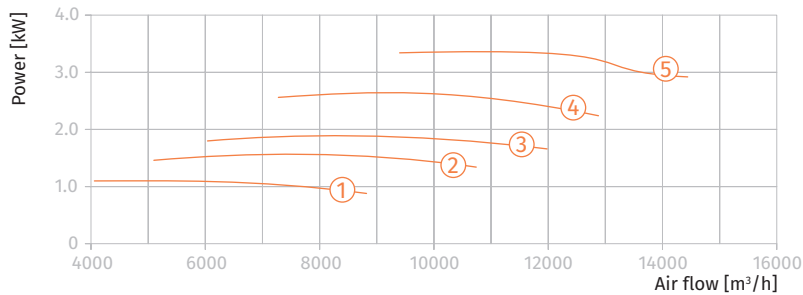
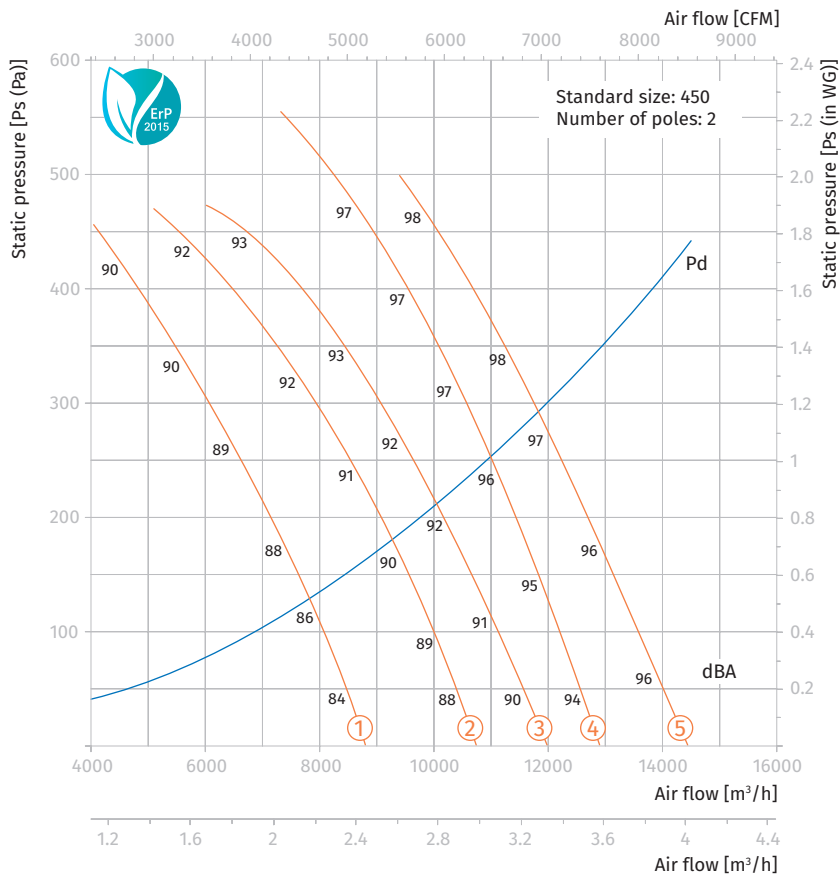
Technical data

AXIS-FP 450-2

Size	Number of poles	Voltage [V / 50 Hz]	Model	Installed motor power N_y [kW]	RPM [min^{-1}]	Number of blades	Blade setting angle [°]	Weight [kg]	Lenght L [mm]	Curve number on graph
450	2	3~400	Axis-FP 450-2D/1.1-6/30/AL	1.1	2880	6	30	37.1	400	①
			Axis-FP 450-2D/1.5-6/35/AL	1.5	2880	6	35	42.1	400	②
			Axis-FP 450-2D/2.2-6/40/AL	2.2	2880	6	40	44.1	400	③
			Axis-FP 450-2D/3-8/40/AL	3	2880	8	40	53.6	500	④
			Axis-FP 450-2D/4-8/45/AL	4	2880	8	45	64.6	500	⑤
450	2/4	3~400	Axis-FP 450-2/4D/1.1/0.25-6/30/AL	1.1/0.25	2880/1440	6	30	37.1	400	①*
			Axis-FP 450-2/4D/1.5/0.37-6/35/AL	1.5/0.37	2880/1440	6	35	42.1	400	②*
			Axis-FP 450-2/4D/2.2/0.5-6/40/AL	2.2/0.5	2880/1440	6	40	44.1	400	③*
			Axis-FP 450-2/4D/3.1/0.8-8/40/AL	3.1/0.8	2880/1440	8	40	55.6	500	④*
			Axis-FP 450-2/4D/4.4/1.1-8/45/AL	4.4/1.1	2880/1440	8	45	65.6	500	⑤*

* maximum speed graph

Aerodynamic characteristics



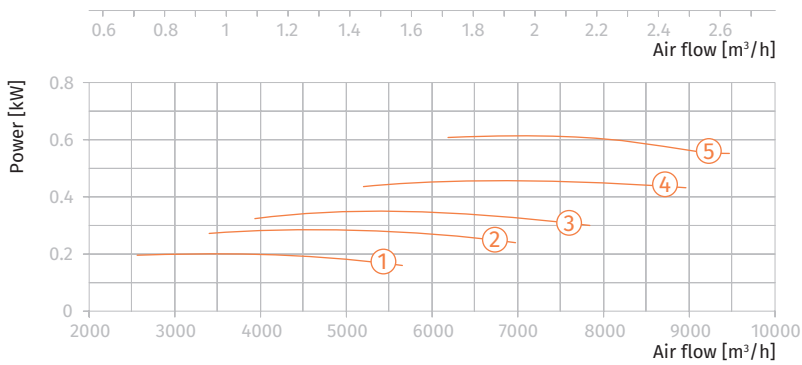
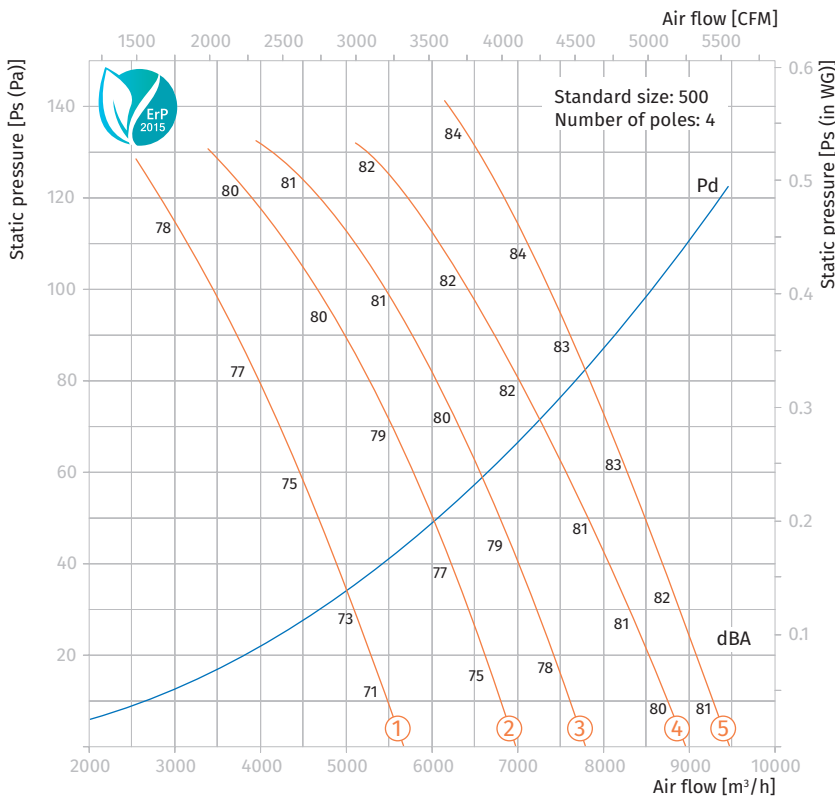
AXIS-FP 450

Technical data

AXIS-FP 500-4

Size	Number of poles	Voltage [V / 50 Hz]	Model	Installed motor power Ny [kW]	RPM [min ⁻¹]	Number of blades	Blade setting angle [°]	Weight [kg]	Lenght L [mm]	Curve number on graph
500	4	3~400	Axis-FP 500-4D/0.55-6/30/AL	0.55	1440	6	30	47.7	400	①
			Axis-FP 500-4D/0.55-6/35/AL	0.55	1440	6	35	47.7	400	②
			Axis-FP 500-4D/0.55-6/40/AL	0.55	1440	6	40	47.7	400	③
			Axis-FP 500-4D/0.55-6/45/AL	0.55	1440	6	45	47.7	400	④
			Axis-FP 500-4D/0.75-8/45/AL	0.75	1440	8	45	49.3	400	⑤

Aerodynamic characteristics



AXIS-FP 500

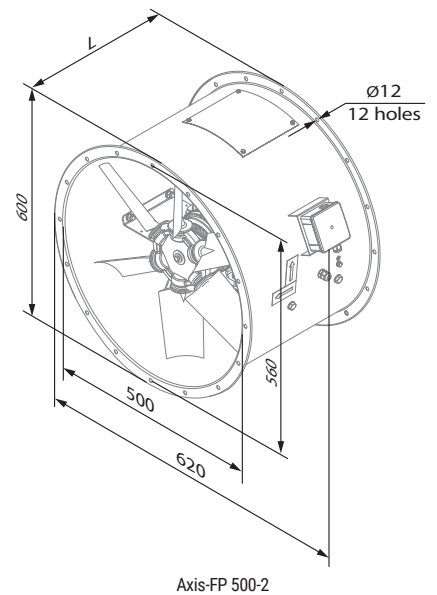
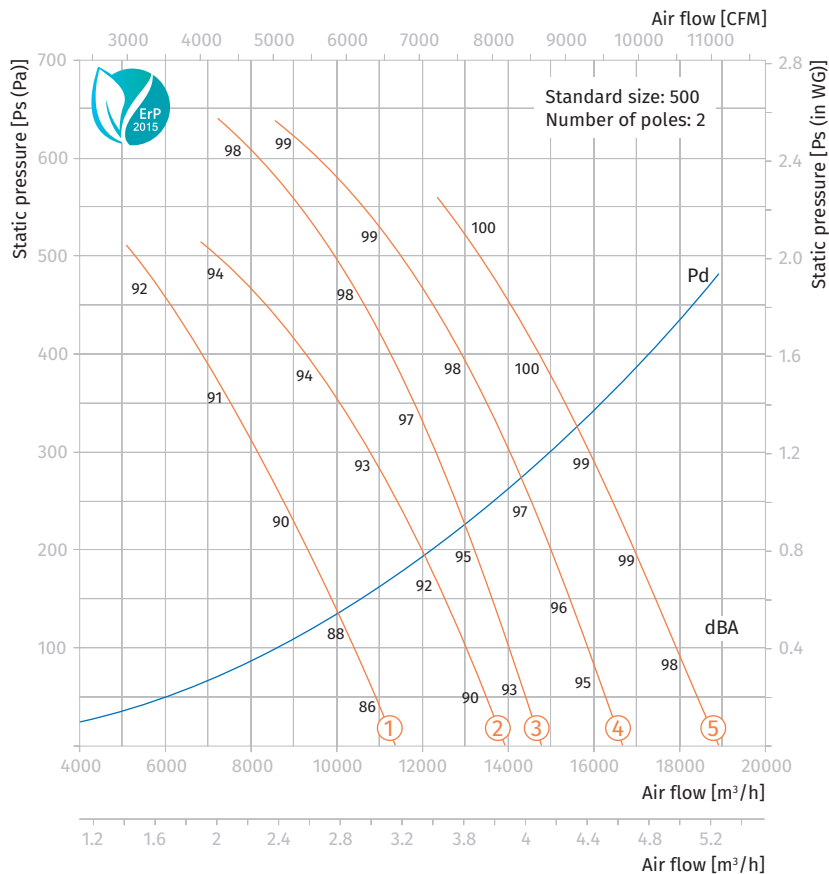
Technical data

AXIS-FP 500-2

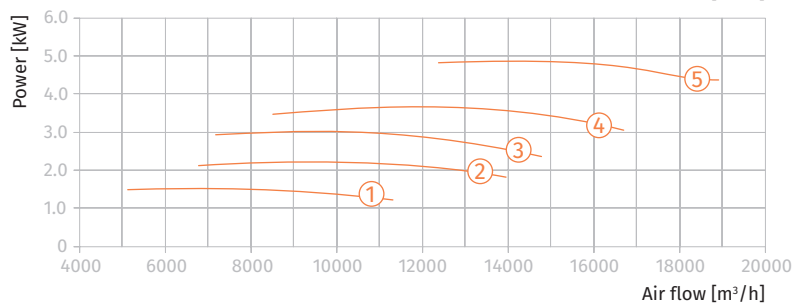
Size	Number of poles	Voltage [V / 50 Hz]	Model	Installed motor power Ny [kW]	RPM [min ⁻¹]	Number of blades	Blade setting angle [°]	Weight [kg]	Lenght L [mm]	Curve number on graph
500	2	3~400	Axis-FP 500-2D/1.5-6/30/AL	1.5	2880	6	30	53.7	400	①
			Axis-FP 500-2D/2.2-6/35/AL	2.2	2880	6	35	55.7	400	②
			Axis-FP 500-2D/3-8/35/AL	3	2880	8	35	65.3	400	③
			Axis-FP 500-2D/4-8/40/AL	4	2880	8	40	76.3	500	④
			Axis-FP 500-2D/5.5-8/45/AL	5.5	2880	8	45	95.3	500	⑤
500	2/4	3~400	Axis-FP 500-2/4D/1.5/0.37-6/30/AL	1.5/0.37	2880/1440	6	30	53.7	400	①*
			Axis-FP 500-2/4D/2.2/0.5-6/35/AL	2.2/0.5	2880/1440	6	35	55.7	400	②*
			Axis-FP 500-2/4D/3.1/0.8-8/35/AL	3.1/0.8	2880/1440	6	40	67.3	500	③*
			Axis-FP 500-2/4D/4.4/1.1-8/40/AL	4.4/1.1	2880/1440	8	40	77.3	500	④*
			Axis-FP 500-2/4D/6.0/1.5-8/45/AL	6/1.5	2880/1440	8	45	92.3	550	⑤*

* maximum speed graph

Aerodynamic characteristics



AXIS-FP 500

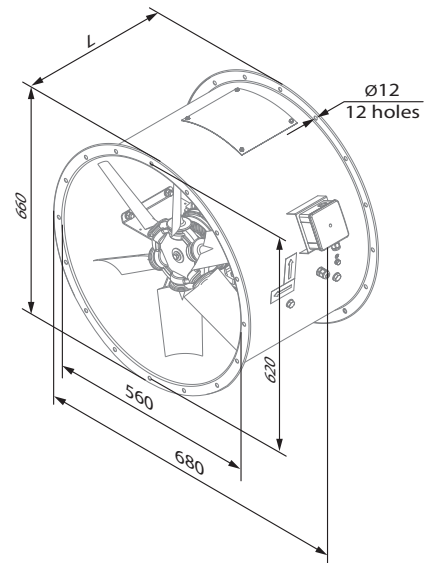
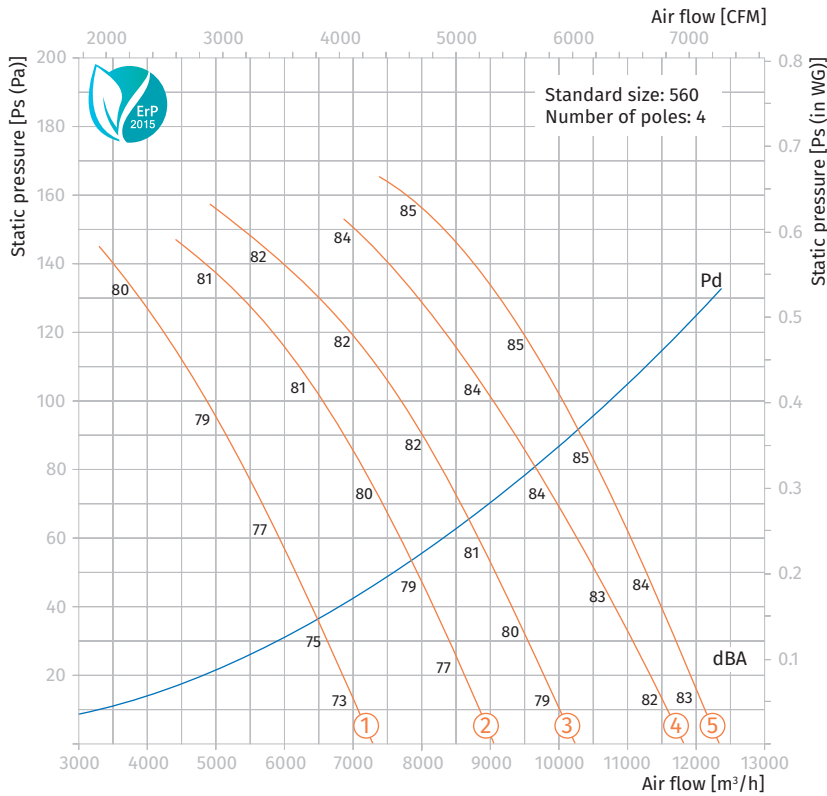


Technical data

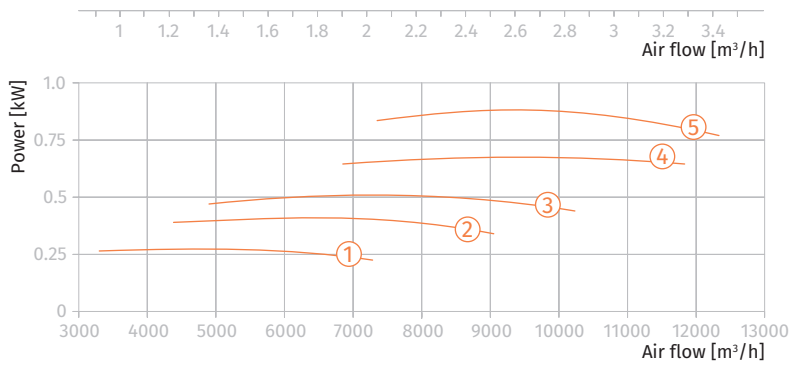
AXIS-FP 560-4

Size	Number of poles	Voltage [V / 50 Hz]	Model	Installed motor power Ny [kW]	RPM [min ⁻¹]	Number of blades	Blade setting angle [°]	Weight [kg]	Lenght L [mm]	Curve number on graph
560	4	3~400	Axis-FP 560-4D/0.55-6/30/AL	0.55	1440	6	30	64.8	400	①
			Axis-FP 560-4D/0.55-6/35/AL	0.55	1440	6	35	64.8	400	②
			Axis-FP 560-4D/0.55-6/40/AL	0.55	1440	6	40	64.8	400	③
			Axis-FP 560-4D/0.75-6/45/AL	0.75	1440	6	45	65.8	400	④
			Axis-FP 560-4D/1.1-8/45/AL	1.1	1440	8	45	72.4	400	⑤

Aerodynamic characteristics



Axis-FP 560-4



AXIS-FP 560

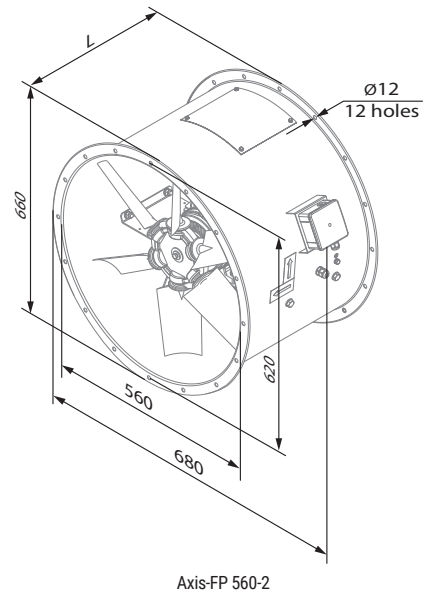
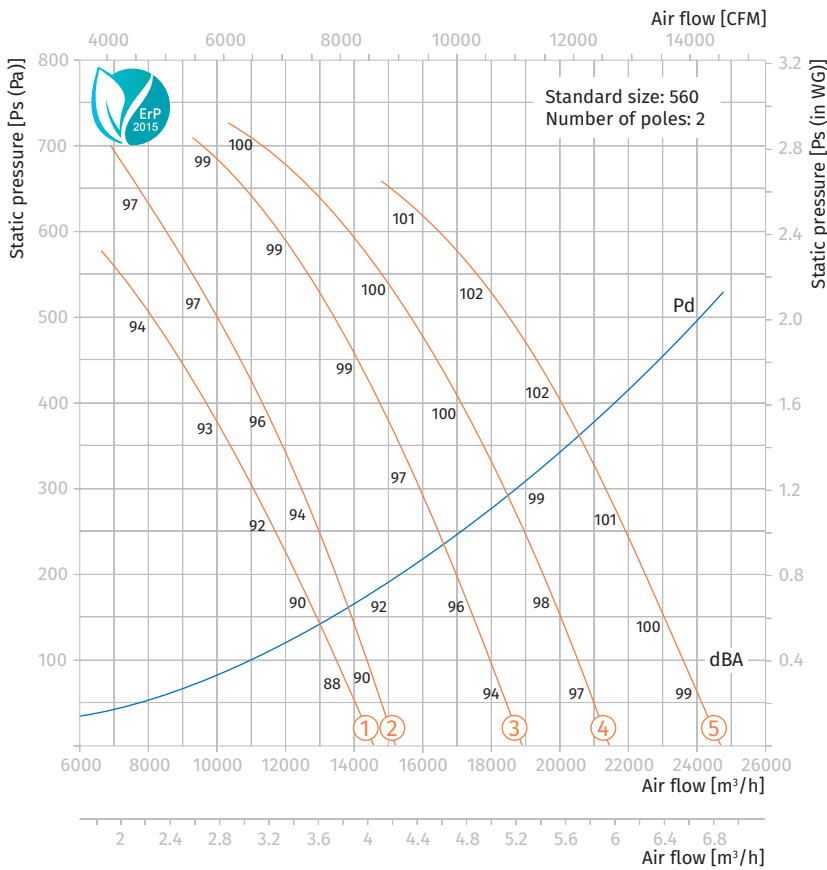
Technical data

AXIS-FP 560-2

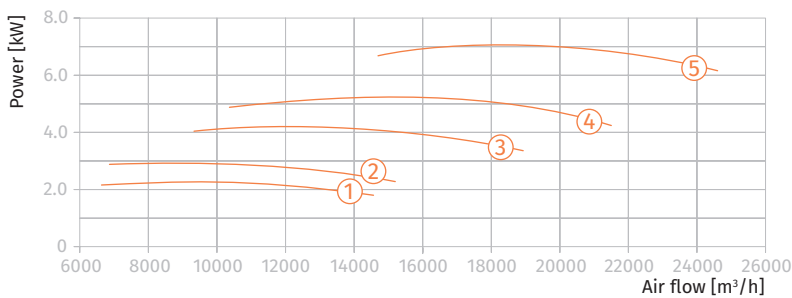
Size	Number of poles	Voltage [V / 50 Hz]	Model	Installed motor power N_y [kW]	RPM [min^{-1}]	Number of blades	Blade setting angle [°]	Weight [kg]	Lenght L [mm]	Curve number on graph
560	2	3~400	Axis-FP 560-2D/2.2-6/30/AL	2.2	2880	6	30	72.8	400	①
			Axis-FP 560-2D/3-8/30/AL	3	2880	8	30	82.4	400	②
			Axis-FP 560-2D/4-8/35/AL	4	2880	8	35	93.4	500	③
			Axis-FP 560-2D/5.5-8/40/AL	5.5	2880	8	40	112.4	500	④
			Axis-FP 560-2D/7.5-8/45/AL	7.5	2880	8	45	118.4	500	⑤
560	2/4	3~400	Axis-FP 560-2/4D/2.2/0.5-6/30/AL	2.2/0.5	2880/1440	6	30	72.8	400	①*
			Axis-FP 560-2/4D/3.1/0.8-8/30/AL	3.1/0.8	2880/1440	8	30	84.4	500	②*
			Axis-FP 560-2/4D/4.4/1.1-8/35/AL	4.4/1.1	2880/1440	8	35	94.4	500	③*
			Axis-FP 560-2/4D/6/1.5-8/40/AL	6/1.5	2880/1440	8	40	109.4	550	④*
			Axis-FP 560-2/4D/8/2-8/45/AL	8/2	2880/1440	8	45	118.4	550	⑤*

* maximum speed graph

Aerodynamic characteristics



AXIS-FP 560

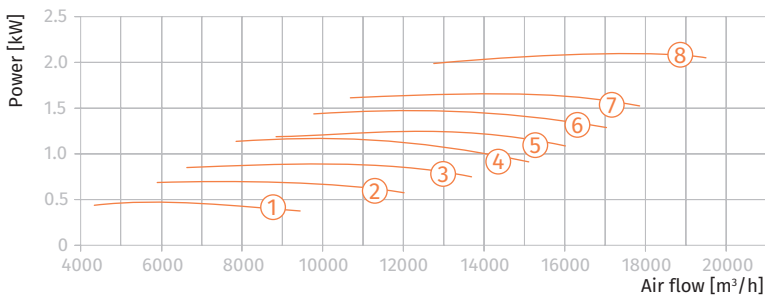
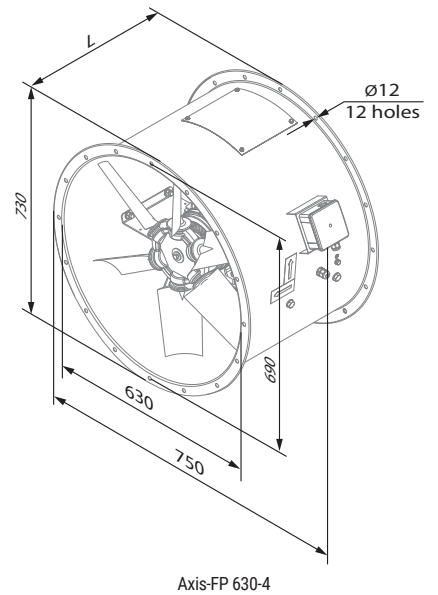
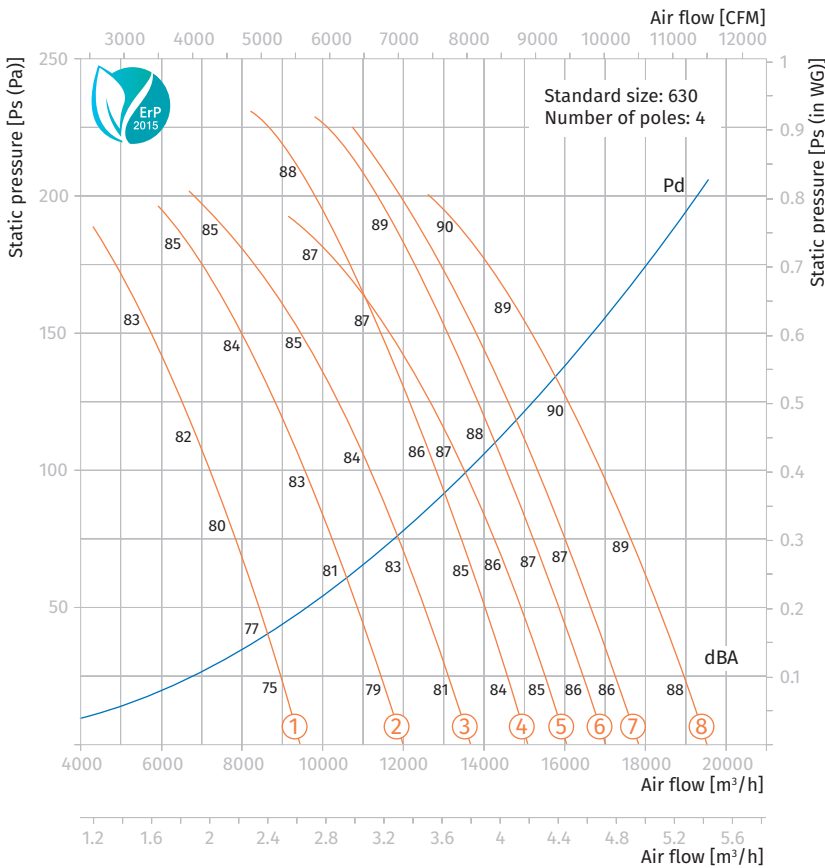


Technical data

AXIS-FP 630-4

Size	Number of poles	Voltage [V / 50 Hz]	Model	Installed motor power Ny [kW]	RPM [min ⁻¹]	Number of blades	Blade setting angle [°]	Weight [kg]	Length L [mm]	Curve number on graph
630	4	3~400	Axis-FP 630-4D/0.55-8/30/AL	0.55	1440	8	30	71	400	①
			Axis-FP 630-4D/0.75-8/35/AL	0.75	1440	8	35	72	400	②
			Axis-FP 630-4D/1.1-8/40/AL	1.1	1440	8	40	78	400	③
			Axis-FP 630-4D/1.5-6/32.5/AL	1.5	1440	6	32.5	82.1	400	④
			Axis-FP 630-4D/1.5-8/45/AL	1.5	1440	8	45	81	400	⑤
			Axis-FP 630-4D/1.5-6/37.5/AL	1.5	1440	6	37.5	82.1	400	⑥
			Axis-FP 630-4D/2.2-6/40/AL	2.2	1440	6	40	88.1	400	⑦
			Axis-FP 630-4D/2.2-6/45/AL	2.2	1440	6	45	88.1	400	⑧

Aerodynamic characteristics



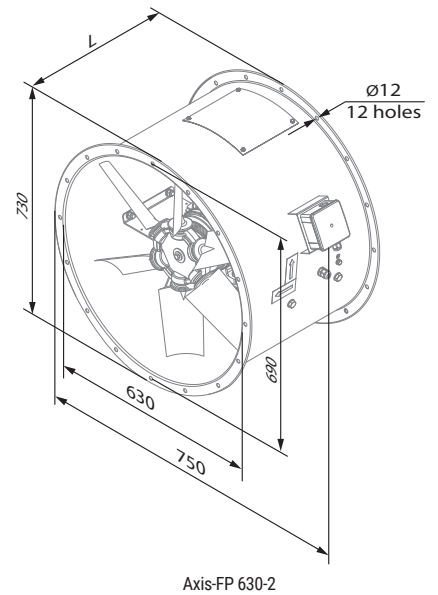
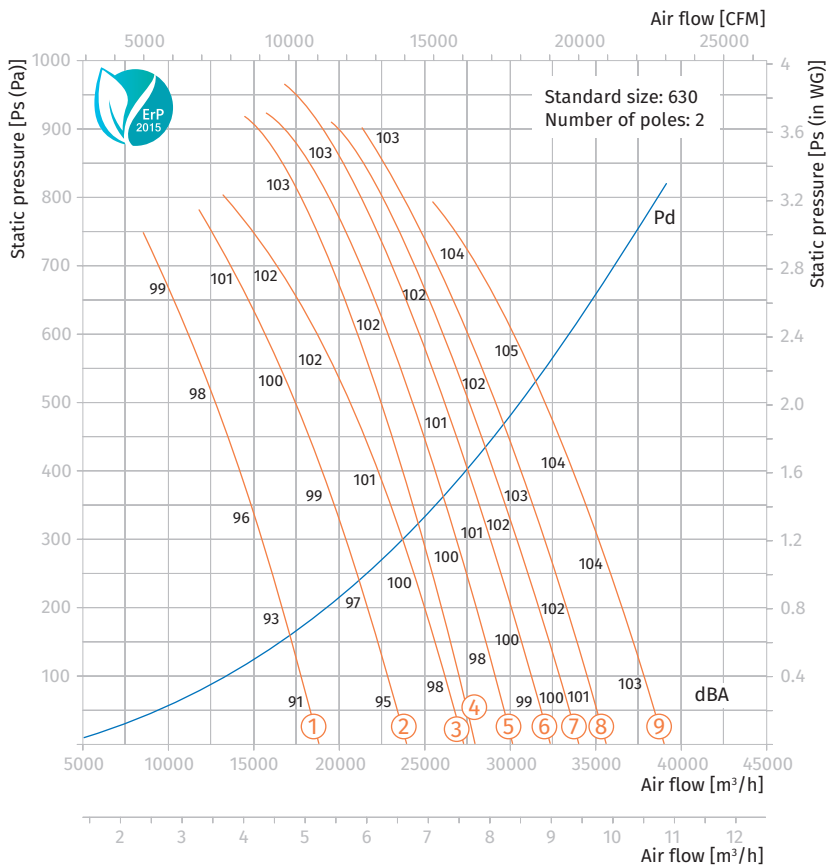
AXIS-FP 630

Technical data

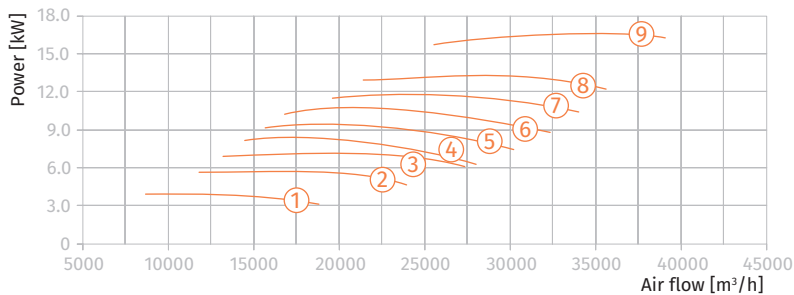
AXIS-FP 630-2

Size	Number of poles	Voltage [V / 50 Hz]	Model	Installed motor power N_y [kW]	RPM [min^{-1}]	Number of blades	Blade setting angle [°]	Weight [kg]	Length L [mm]	Curve number on graph
630	2	3~400	Axis-FP 630-2D/4-8/30/AL	4	2880	8	30	99	500	①
			Axis-FP 630-2D/5.5-8/35/AL	5.5	2880	8	35	118	500	②
			Axis-FP 630-2D/7.5-8/40/AL	7.5	2880	8	40	124	500	③
			Axis-FP 630-2D/9.2-6/30/AL	9.2	2880	6	30	143.1	600	④
			Axis-FP 630-2D/11-6/32.5/AL	11	2880	6	32.5	162.1	600	⑤
			Axis-FP 630-2D/11-6/35/AL	11	2880	6	35	162.1	600	⑥
			Axis-FP 630-2D/15-6/37.5/AL	15	2880	6	37.5	169.1	700	⑦
			Axis-FP 630-2D/15-6/40/AL	15	2880	6	40	169.1	700	⑧
			Axis-FP 630-2D/18.5-6/45/AL	18.5	2880	6	45	184.1	700	⑨

Aerodynamic characteristics



AXIS-FP 630



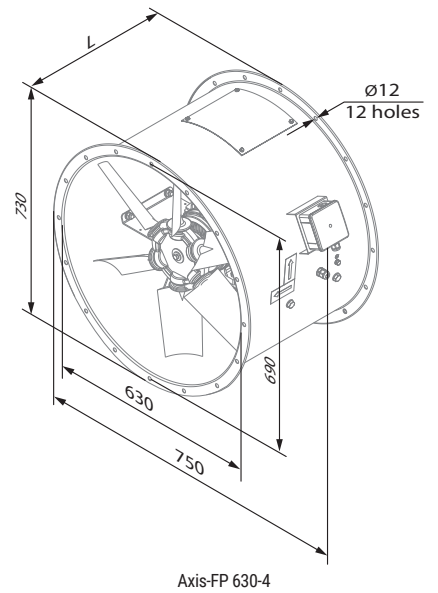
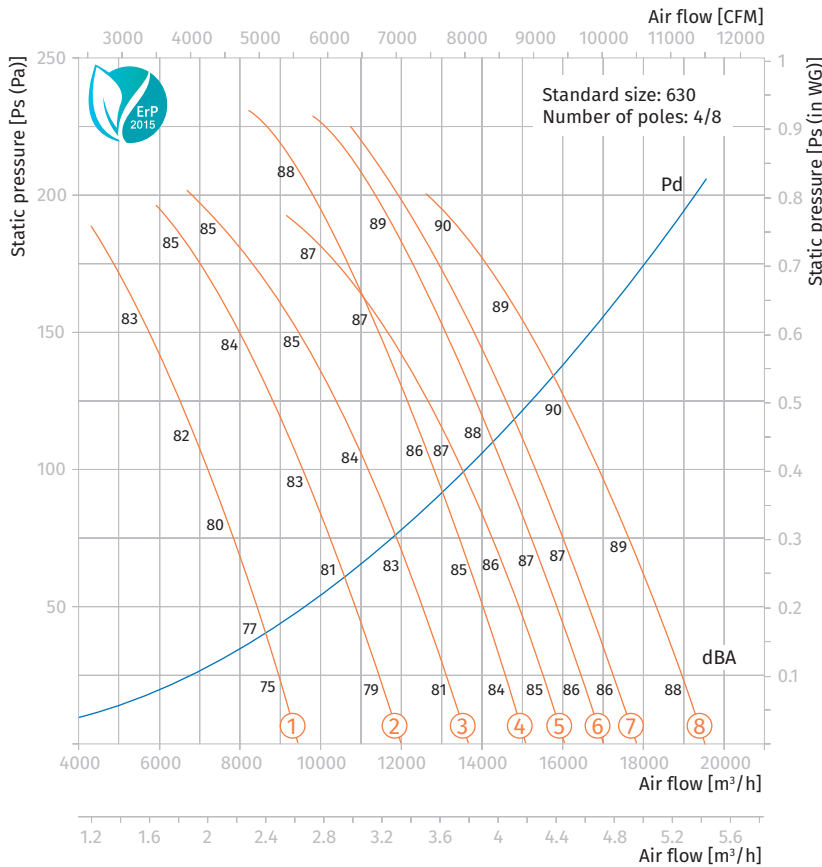
Technical data

AXIS-FP 630-4

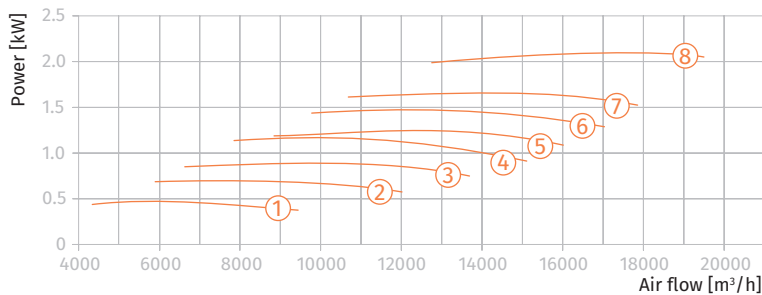
Size	Number of poles	Voltage [V / 50 Hz]	Model	Installed motor power N_y [kW]	RPM [min ⁻¹]	Number of blades	Blade setting angle [°]	Weight [kg]	Length L [mm]	Curve number on graph
630	4/8	3~400	Axis-FP 630-4/8D/0.6/0.15-8/30/AL	0.6/0.15	1440/720	8	30	72	400	①*
			Axis-FP 630-4/8D/0.8/0.2-8/35/AL	0.8/0.2	1440/720	8	35	72	400	②*
			Axis-FP 630-4/8D/1.2/0.3-8/40/AL	1.2/0.3	1440/720	8	40	77	400	③*
			Axis-FP 630-4/8D/1.2/0.3-6/32.5/AL	1.2/0.3	1440/720	6	32.5	78.1	400	④*
			Axis-FP 630-4/8D/1.6/0.4-8/45/AL	1.6/0.4	1440/720	8	45	80	400	⑤*
			Axis-FP 630-4/8D/1.6/0.4-6/37.5/AL	1.6/0.4	1440/720	6	37.5	81.1	400	⑥*
			Axis-FP 630-4/8D/2.2/0.55-6/40/AL	2.2/0.55	1440/720	6	40	88.1	500	⑦*
			Axis-FP 630-4/8D/2.2/0.55-6/45/AL	2.2/0.55	1440/720	6	45	88.1	500	⑧*

* maximum speed graph

Aerodynamic characteristics



AXIS-FP 630



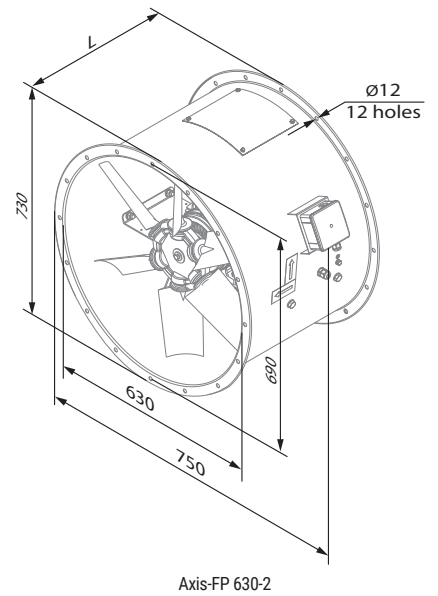
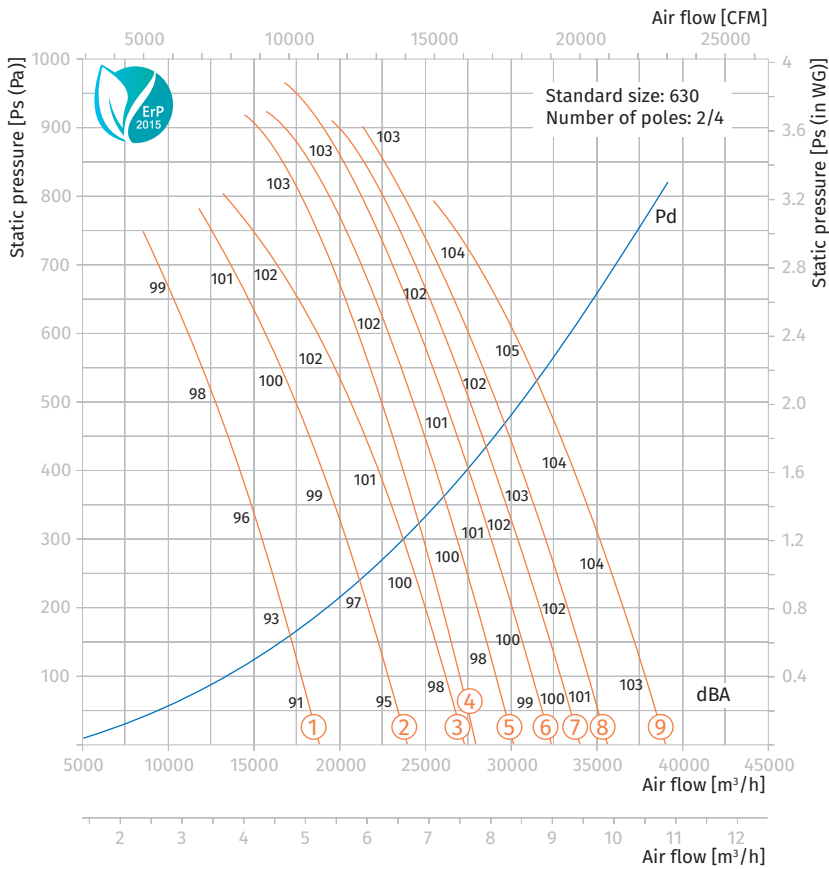
Technical data

AXIS-FP 630-2

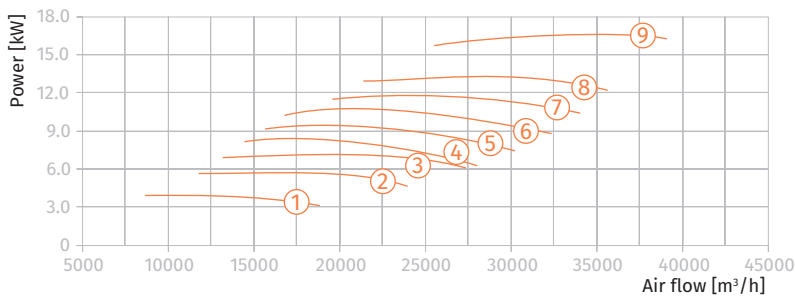
Size	Number of poles	Voltage [V / 50 Hz]	Model	Installed motor power N_y [kW]	RPM [min^{-1}]	Number of blades	Blade setting angle [°]	Weight [kg]	Lenght L [mm]	Curve number on graph
630	2/4	3~400	Axis-FP 630-2/4D/4.4/1.1-8/30/AL	4.4/1.1	2880/1440	8	30	100	500	①*
			Axis-FP 630-2/4D/6/1.5-8/35/AL	6/1.5	2880/1440	8	35	115	600	②*
			Axis-FP 630-2/4D/8/2-8/40/AL	8/2	2880/1440	8	40	124	600	③*
			Axis-FP 630-2/4D/12/3-6/30/AL	12/3	2880/1440	6	30	176.1	700	④*
			Axis-FP 630-2/4D/12/3-6/32.5/AL	12/3	2880/1440	6	32.5	176.1	700	⑤*
			Axis-FP 630-2/4D/12/3-6/35/AL	12/3	2880/1440	6	35	176.1	700	⑥*
			Axis-FP 630-2/4D/12/3-6/37.5/AL	12/3	2880/1440	6	37.5	176.1	700	⑦*
			Axis-FP 630-2/4D/16/4-6/40/AL	16/4	2880/1440	6	40	193.1	700	⑧*
			Axis-FP 630-2/4D/20/5.5-6/45/AL	20/5.5	2880/1440	6	45	218.1	700	⑨*

* maximum speed graph

Aerodynamic characteristics



AXIS-FP 630

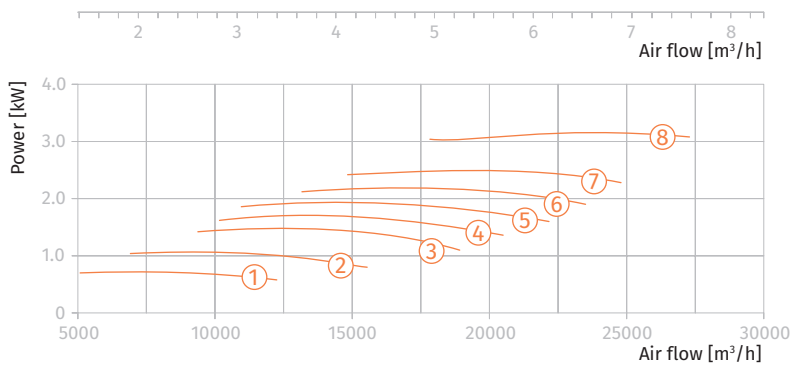
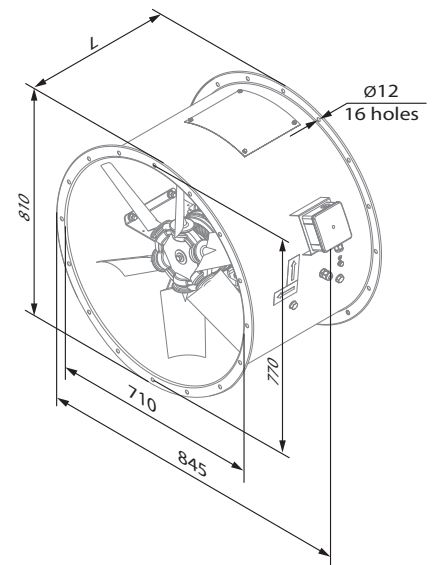
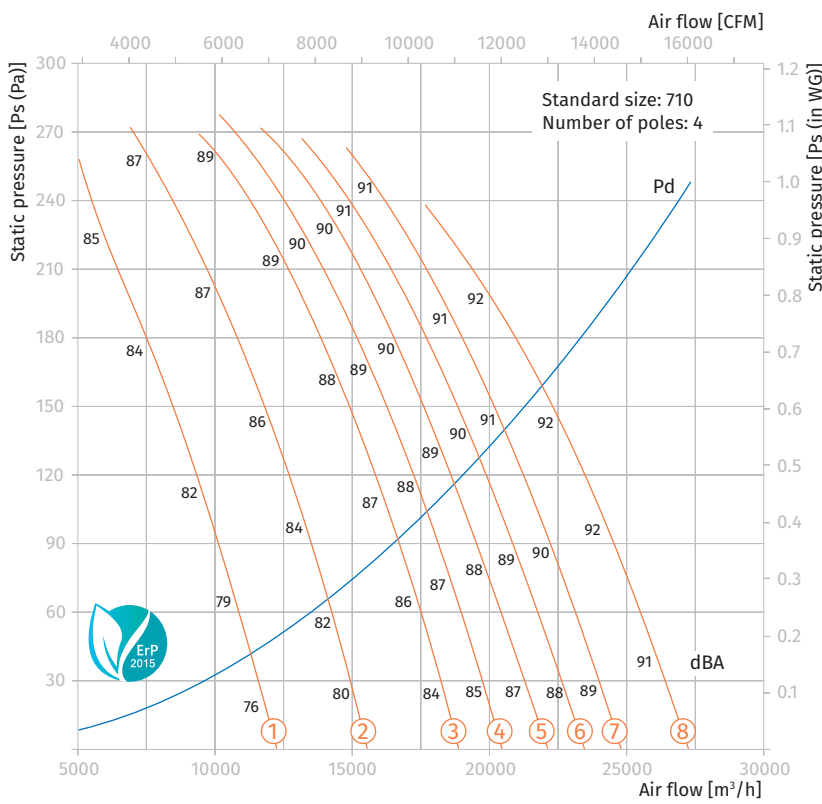


Technical data

AXIS-FP 710-4

Size	Number of poles	Voltage [V / 50 Hz]	Model	Installed motor power N_y [kW]	RPM [min ⁻¹]	Number of blades	Blade setting angle [°]	Weight [kg]	Length L [mm]	Curve number on graph
710	4	3~400	Axis-FP 710-4D/0.75-6/20/AL	0.75	1440	6	20	99.3	450	①
			Axis-FP 710-4D/1.1-6/25/AL	1.1	1440	6	25	105.3	450	②
			Axis-FP 710-4D/1.5-6/30/AL	1.5	1440	6	30	108.3	450	③
			Axis-FP 710-4D/2.2-6/32.5/AL	2.2	1440	6	32.5	114.3	450	④
			Axis-FP 710-4D/2.2-6/35/AL	2.2	1440	6	35	114.3	450	⑤
			Axis-FP 710-4D/2.2-6/37.5/AL	2.2	1440	6	37.5	114.3	450	⑥
			Axis-FP 710-4D/3-6/40/AL	3	1440	6	40	117.3	560	⑦
			Axis-FP 710-4D/4-6/45/AL	4	1440	6	45	131.3	560	⑧

Aerodynamic characteristics



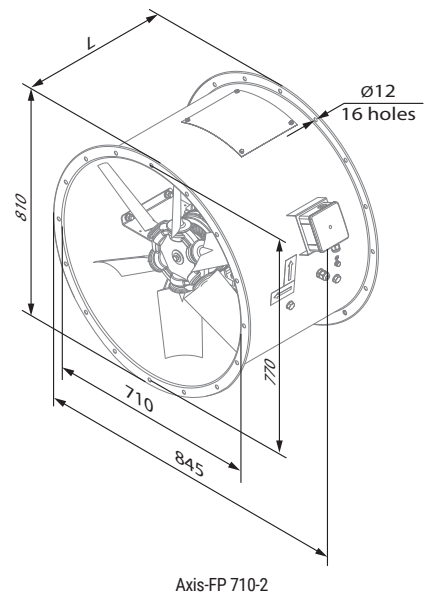
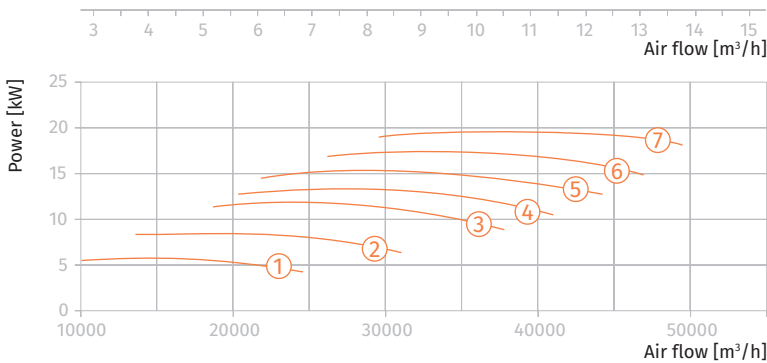
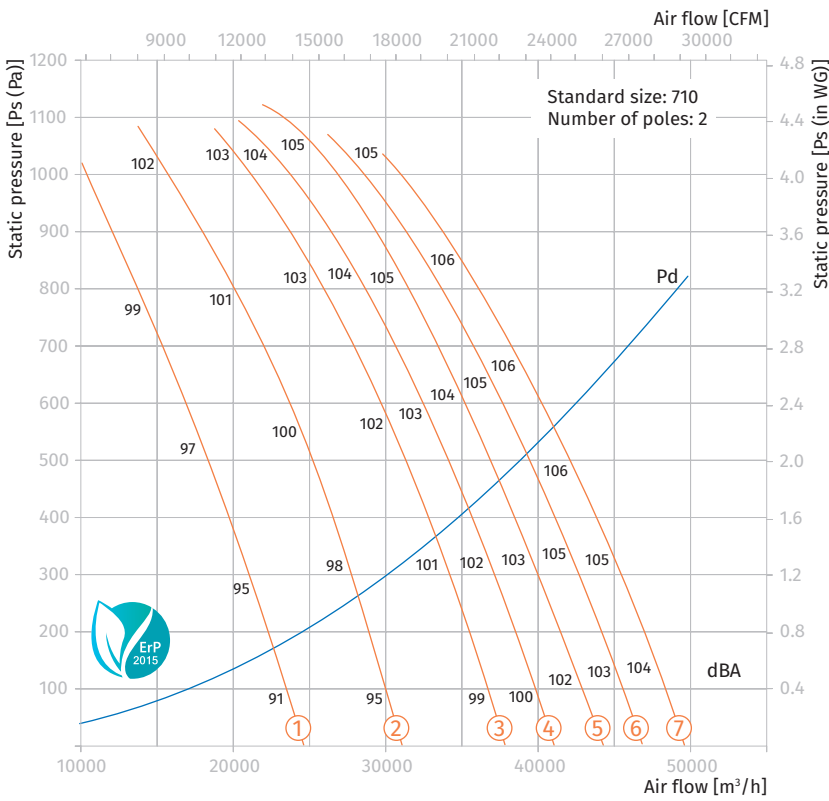
AXIS-FP 710

Technical data

AXIS-FP 710-2

Size	Number of poles	Voltage [V / 50 Hz]	Model	Installed motor power N_y [kW]	RPM [min^{-1}]	Number of blades	Blade setting angle [°]	Weight [kg]	Lenght L [mm]	Curve number on graph
710	2	3~400	Axis-FP 710-2D/7.5-6/20/AL	7.5	2880	6	20	151.3	560	①
			Axis-FP 710-2D/9.2-6/25/AL	9.2	2880	6	25	169.3	560	②
			Axis-FP 710-2D/15-6/30/AL	15	2880	6	30	195.3	750	③
			Axis-FP 710-2D/15-6/32.5/AL	15	2880	6	32.5	195.3	750	④
			Axis-FP 710-2D/18.5-6/35/AL	18.5	2880	6	35	210.3	750	⑤
			Axis-FP 710-2D/18.5-6/37.5/AL	18.5	2880	6	37.5	210.3	750	⑥
			Axis-FP 710-2D/22-6/40/AL	22	2880	6	40	256.3	750	⑦

Aerodynamic characteristics



AXIS-FP 710

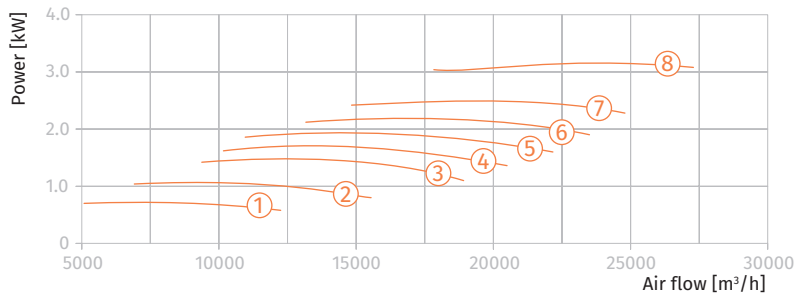
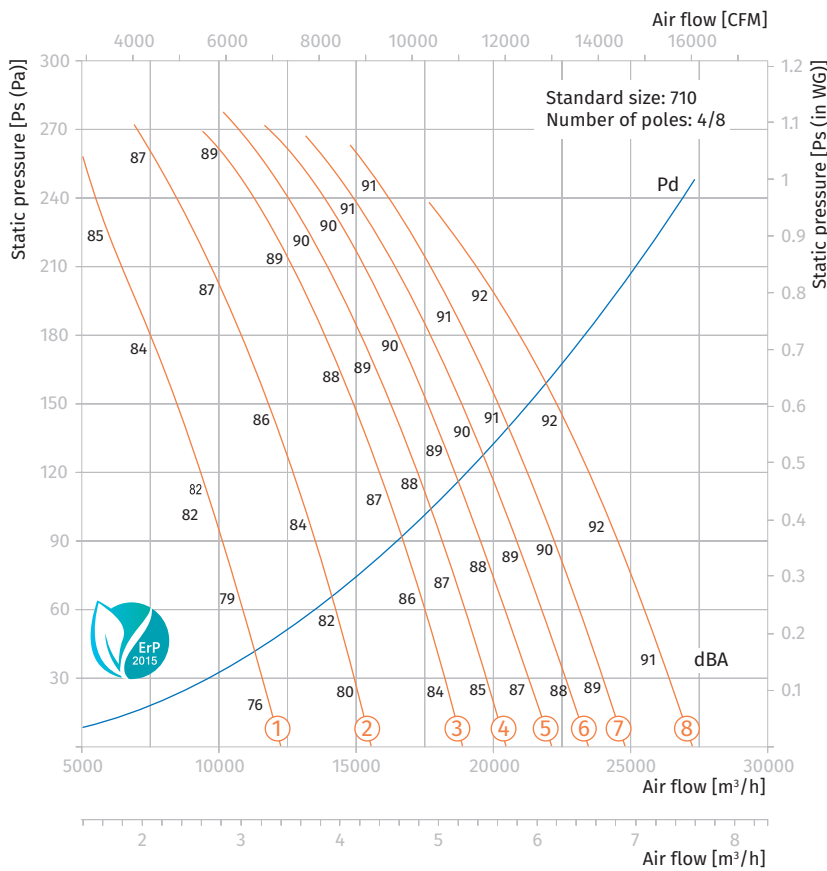
Technical data

AXIS-FP 710-4

Size	Number of poles	Voltage [V / 50 Hz]	Model	Installed motor power Ny [kW]	RPM [min ⁻¹]	Number of blades	Blade setting angle [°]	Weight [kg]	Lenght L [mm]	Curve number on graph
710	4/8	3~400	Axis-FP 710-4/8D/0.8/0.2-6/20/AL	0.8/0.2	1440/720	6	20	99.3	450	①*
			Axis-FP 710-4/8D/1.2/0.3-6/25/AL	1.2/0.3	1440/720	6	25	104.3	450	②*
			Axis-FP 710-4/8D/1.6/0.4-6/30/AL	1.6/0.4	1440/720	6	30	107.3	450	③*
			Axis-FP 710-4/8D/2.2/0.55-6/32.5/AL	2.2/0.55	1440/720	6	32.5	114.3	560	④*
			Axis-FP 710-4/8D/2.2/0.55-6/35/AL	2.2/0.55	1440/720	6	35	114.3	560	⑤*
			Axis-FP 710-4/8D/2.2/0.55-6/37.5/AL	2.2/0.55	1440/720	6	37.5	114.3	560	⑥*
			Axis-FP 710-4/8D/2.8/0.7-6/40/AL	2.8/0.7	1440/720	6	40	117.3	560	⑦*
			Axis-FP 710-4/8D/3.8/1-6/45/AL	3.8/1	1440/720	6	45	127.3	560	⑧*

* maximum speed graph

Aerodynamic characteristics



AXIS-FP 710



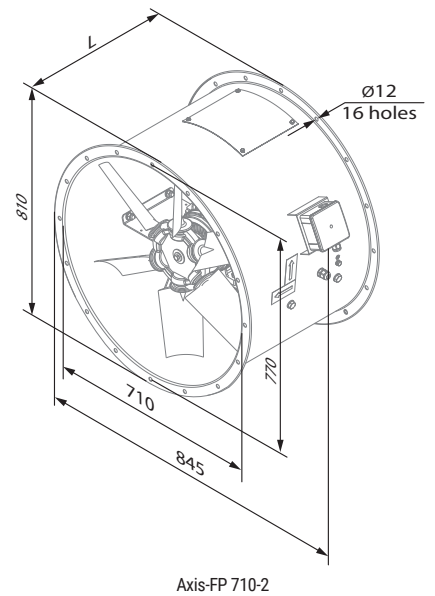
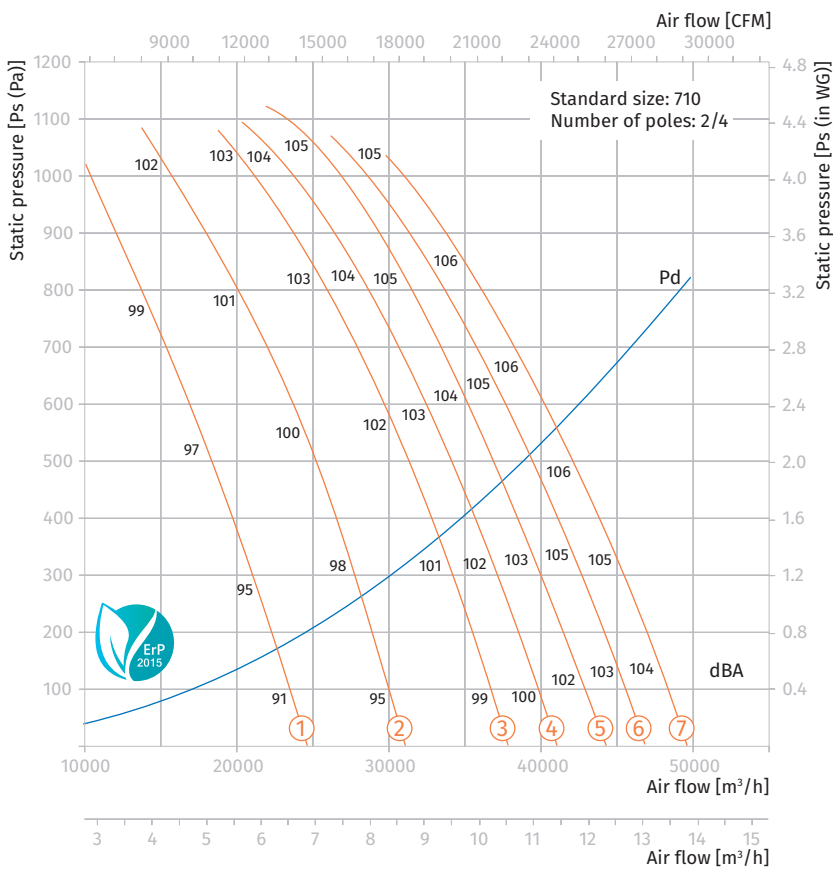
Technical data

AXIS-FP 710-2

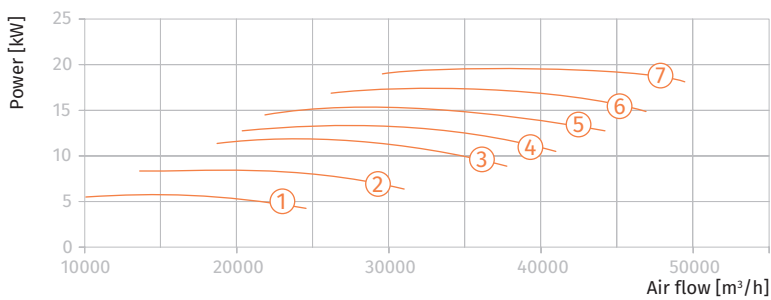
Size	Number of poles	Voltage [V / 50 Hz]	Model	Installed motor power N_y [kW]	RPM [min^{-1}]	Number of blades	Blade setting angle [°]	Weight [kg]	Length L [mm]	Curve number on graph
710	2/4	3~400	Axis-FP 710-2/4D/6/1.5-6/20/AL	6/1.5	2880/1440	6	20	142.3	560	①*
			Axis-FP 710-2/4D/12/3-6/25/AL	12/3	2880/1440	6	25	202.3	750	②*
			Axis-FP 710-2/4D/12/3-6/30/AL	12/3	2880/1440	6	30	202.3	750	③*
			Axis-FP 710-2/4D/16/4-6/32.5/AL	16/4	2880/1440	6	32.5	219.3	750	④*
			Axis-FP 710-2/4D/16/4-6/35/AL	16/4	2880/1440	6	35	219.3	750	⑤*
			Axis-FP 710-2/4D/20/5.5-6/37.5/AL	20/5.5	2880/1440	6	37.5	244.3	750	⑥*
			Axis-FP 710-2/4D/20/5.5-6/40/AL	20/5.5	2880/1440	6	40	244.3	750	⑦*

* maximum speed graph

Aerodynamic characteristics



AXIS-FP 710

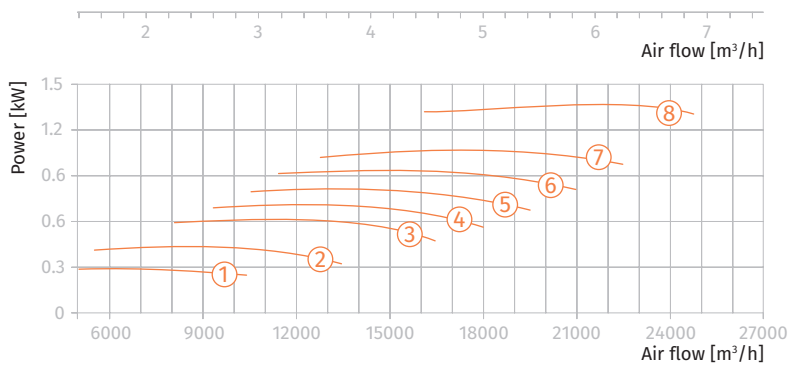
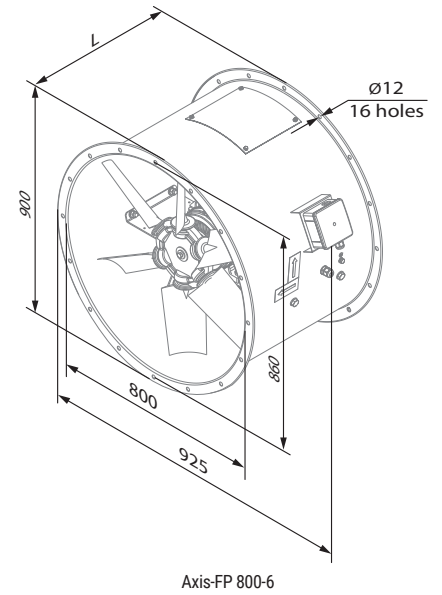
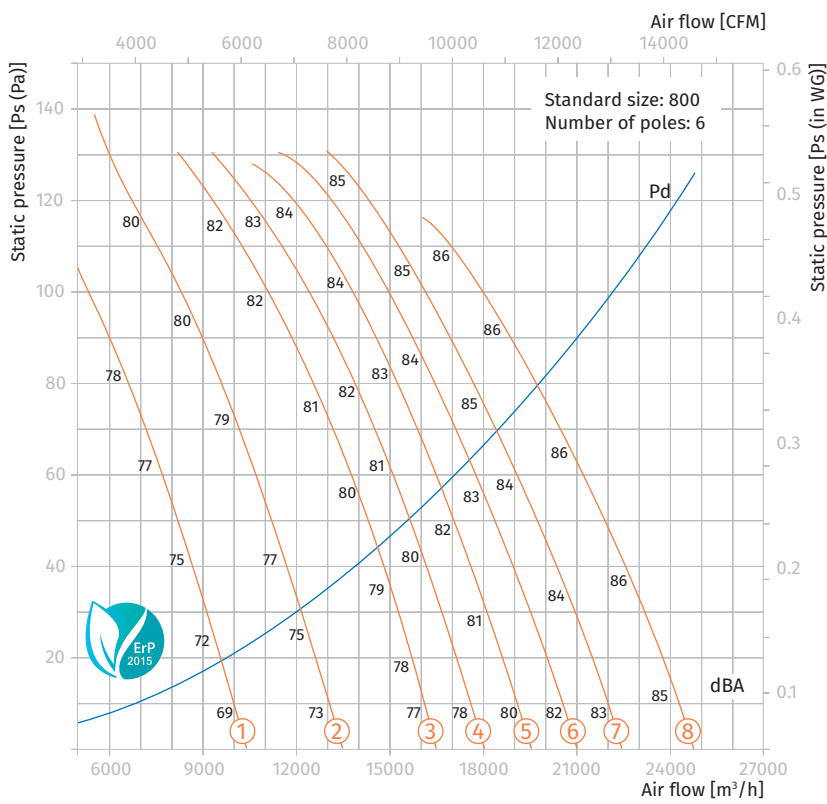


Technical data

AXIS-FP 800-6D

Size	Number of poles	Voltage [V / 50 Hz]	Model	Installed motor power Ny [kW]	RPM [min ⁻¹]	Number of blades	Blade setting angle [°]	Weight [kg]	Length L [mm]	Curve number on graph
800	6	3~400	Axis-FP 800-6D/0.37-6/20/AL	0.37	960	6	20	109.6	400	①
			Axis-FP 800-6D/0.55-6/25/AL	0.55	960	6	25	110.6	400	②
			Axis-FP 800-6D/0.75-6/30/AL	0.75	960	6	30	115.6	400	③
			Axis-FP 800-6D/0.75-6/32.5/AL	0.75	960	6	32.5	115.6	400	④
			Axis-FP 800-6D/1.1-6/35/AL	1.1	960	6	35	119.6	400	⑤
			Axis-FP 800-6D/1.1-6/37.5/AL	1.1	960	6	37.5	119.6	400	⑥
			Axis-FP 800-6D/1.1-6/40/AL	1.1	960	6	40	119.6	400	⑦
			Axis-FP 800-6D/1.5-6/45/AL	1.5	960	6	45	122.6	500	⑧

Aerodynamic characteristics



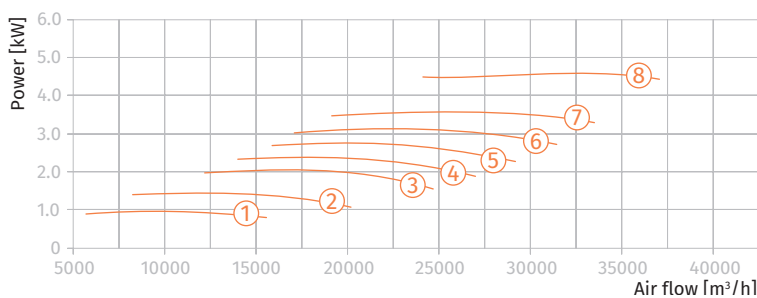
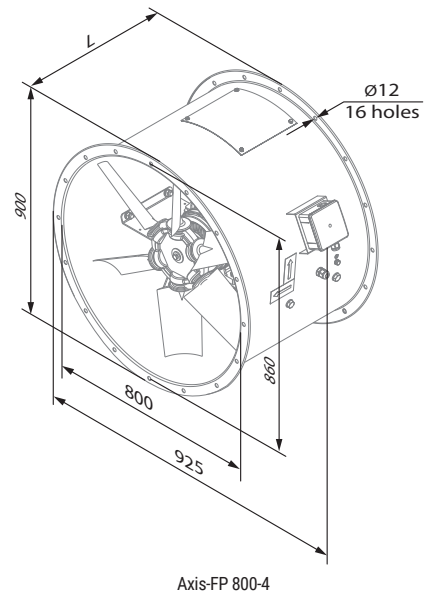
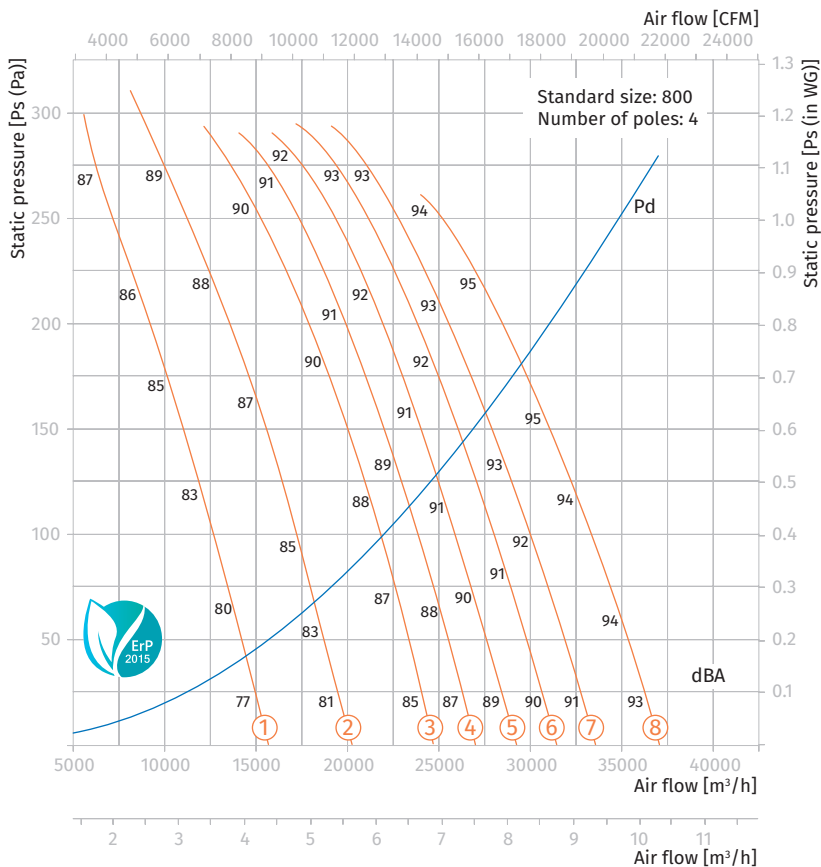
Technical data

AXIS-FP 800-4

Size	Number of poles	Voltage [V / 50 Hz]	Model	Installed motor power N_y [kW]	RPM [min^{-1}]	Number of blades	Blade setting angle [°]	Weight [kg]	Lenght L [mm]	Curve number on graph
800	4	3~400	Axis-FP 800-4D/1.1-6/20/AL	1.1	1440	6	20	116.6	400	①
			Axis-FP 800-4D/1.5-6/25/AL	1.5	1440	6	25	119.6	400	②
			Axis-FP 800-4D/2.2-6/30/AL	2.2	1440	6	30	125.6	400	③
			Axis-FP 800-4D/3-6/32.5/AL	3	1440	6	32.5	128.6	500	④
			Axis-FP 800-4D/3-6/35/AL	3	1440	6	35	128.6	500	⑤
			Axis-FP 800-4D/4-6/37.5/AL	4	1440	6	37.5	142.6	500	⑥
			Axis-FP 800-4D/4-6/40/AL	4	1440	6	40	142.6	500	⑦
			Axis-FP 800-4D/5.5-6/45/AL	5.5	1440	6	45	156.6	500	⑧
800	4/8	3~400	Axis-FP 800-4/8D/1.2/0.3-6/20/AL	1.2/0.3	1440/720	6	20	115.6	400	①*
			Axis-FP 800-4/8D/1.6/0.4-6/25/AL	1.6/0.4	1440/720	6	25	118.6	400	②*
			Axis-FP 800-4/8D/2.2/0.55-6/30/AL	2.2/0.55	1440/720	6	30	125.6	500	③*
			Axis-FP 800-4/8D/2.8/0.7-6/32.5/AL	2.8/0.7	1440/720	6	32.5	128.6	500	④*
			Axis-FP 800-4/8D/2.8/0.7-6/35/AL	2.8/0.7	1440/720	6	35	128.6	500	⑤*
			Axis-FP 800-4/8D/3.8/1-6/37.5/AL	3.8/1	1440/720	6	37.5	138.6	500	⑥*
			Axis-FP 800-4/8D/3.8/1-6/40/AL	3.8/1	1440/720	6	40	138.6	500	⑦*
			Axis-FP 800-4/8D/5/1.3-6/45/AL	5/1.3	1440/720	6	45	163.6	600	⑧*

* maximum speed graph

Aerodynamic characteristics

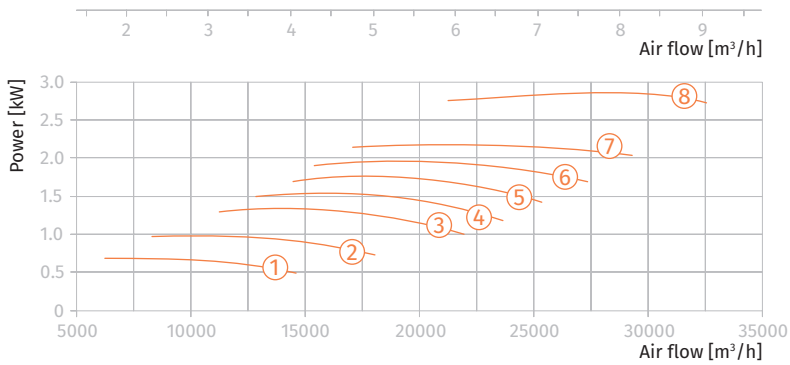
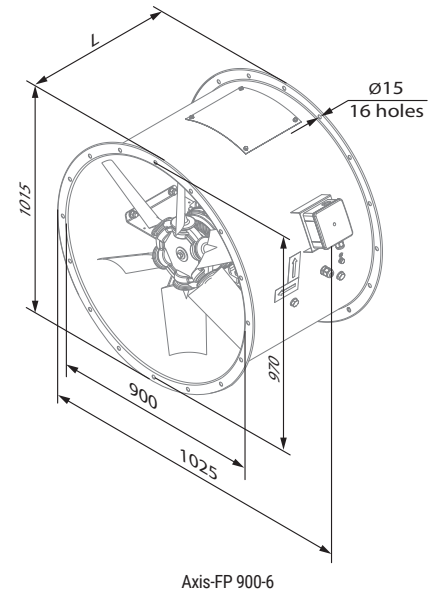
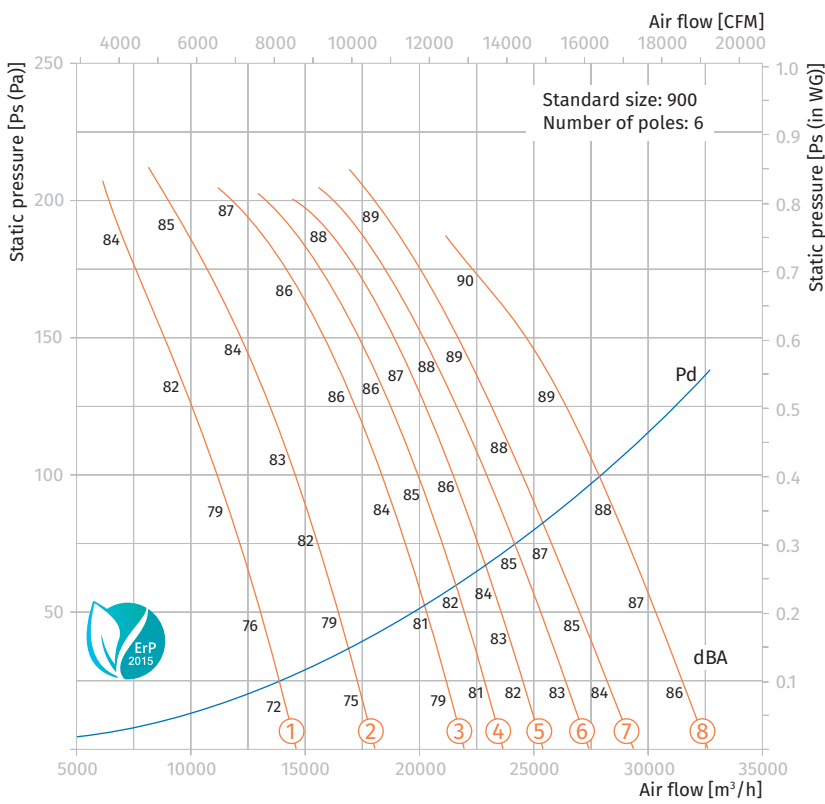


Technical data

AXIS-FP 900-6

Size	Number of poles	Voltage [V / 50 Hz]	Model	Installed motor power N_y [kW]	RPM [min ⁻¹]	Number of blades	Blade setting angle [°]	Weight [kg]	Length L [mm]	Curve number on graph
900	6	3~400	Axis-FP 900-6D/0.75-8/20/AL	0.75	960	8	20	120.8	400	①
			Axis-FP 900-6D/1.1-8/25/AL	1.1	960	8	25	124.8	400	②
			Axis-FP 900-6D/1.5-8/30/AL	1.5	960	8	30	127.8	500	③
			Axis-FP 900-6D/1.5-8/32.5/AL	1.5	960	8	32.5	127.8	500	④
			Axis-FP 900-6D/2.2-8/35/AL	2.2	960	8	35	138.8	500	⑤
			Axis-FP 900-6D/2.2-8/37.5/AL	2.2	960	8	37.5	138.8	500	⑥
			Axis-FP 900-6D/2.2-8/40/AL	2.2	960	8	40	138.8	500	⑦
			Axis-FP 900-6D/3-8/45/AL	3	960	8	45	152.8	500	⑧

Aerodynamic characteristics



AXIS-FP 900

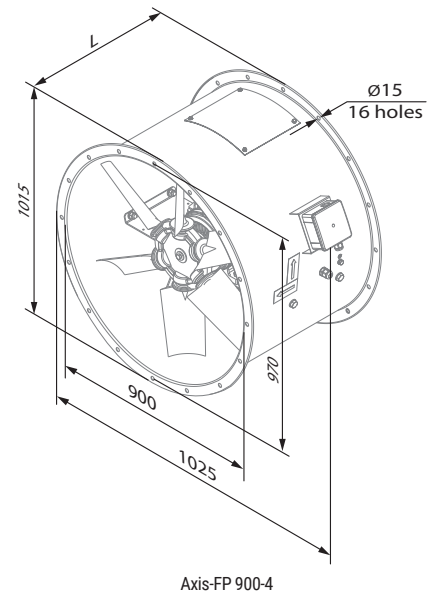
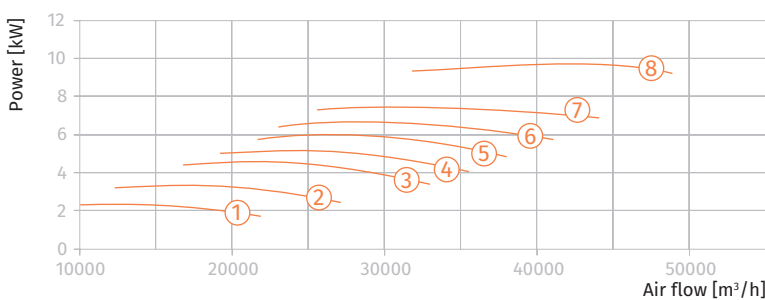
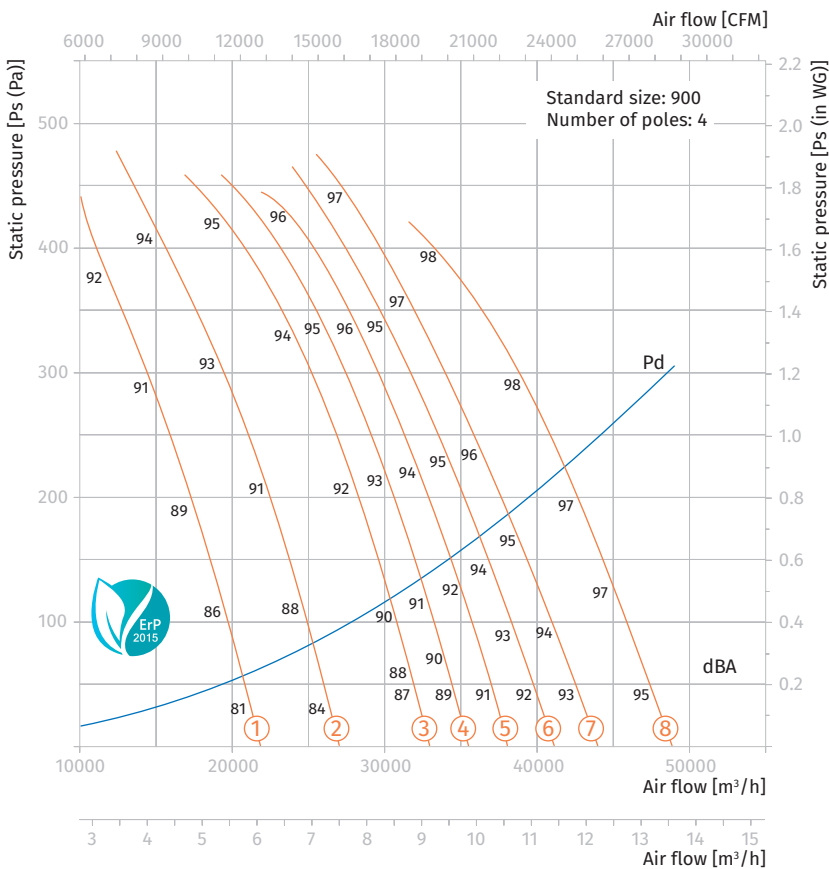
Technical data

AXIS-FP 900-4

Size	Number of poles	Voltage [V / 50 Hz]	Model	Installed motor power N_y [kW]	RPM [min^{-1}]	Number of blades	Blade setting angle [°]	Weight [kg]	Lenght L [mm]	Curve number on graph
900	4	3~400	Axis-FP 900-4D/3-8/20/AL	3	1440	8	20	133.8	400	①
			Axis-FP 900-4D/4-8/25/AL	4	1440	8	25	147.8	500	②
			Axis-FP 900-4D/5.5-8/30/AL	5.5	1440	8	30	161.8	500	③
			Axis-FP 900-4D/5.5-8/32.5/AL	5.5	1440	8	32.5	161.8	500	④
			Axis-FP 900-4D/7.5-8/35/AL	7.5	1440	8	35	169.8	600	⑤
			Axis-FP 900-4D/7.5-8/37.5/AL	7.5	1440	8	37.5	169.8	600	⑥
			Axis-FP 900-4D/7.5-8/40/AL	7.5	1440	8	40	169.8	600	⑦
			Axis-FP 900-4D/11-8/45/AL	11.0	1440	8	45	206.8	600	⑧
900	4/8	3~400	Axis-FP 900-4/8D/2.8/0.7-8/20/AL	2.8/0.7	1440/720	8	20	133.8	500	①*
			Axis-FP 900-4/8D/3.8/1-8/25/AL	3.8/1	1440/720	8	25	143.8	500	②*
			Axis-FP 900-4/8D/5/1.3-8/30/AL	5/1.3	1440/720	8	30	168.8	600	③*
			Axis-FP 900-4/8D/7.2/1.8-8/32.5/AL	7.2/1.8	1440/720	8	32.5	180.8	600	④*
			Axis-FP 900-4/8D/7.2/1.8-8/35/AL	7.2/1.8	1440/720	8	35	180.8	600	⑤*
			Axis-FP 900-4/8D/7.2/1.8-8/37.5/AL	7.2/1.8	1440/720	8	37.5	180.8	600	⑥*
			Axis-FP 900-4/8D/11/3-8/40/AL	11/3	1440/720	8	40	219.8	700	⑦*
			Axis-FP 900-4/8D/11/3-8/45/AL	11/3	1440/720	8	45	219.8	700	⑧*

* maximum speed graph

Aerodynamic characteristics

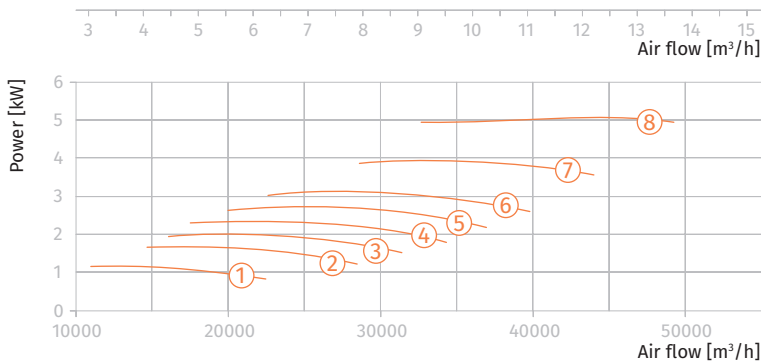
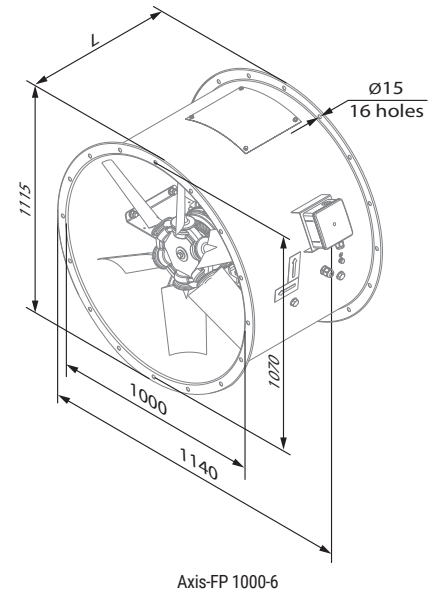
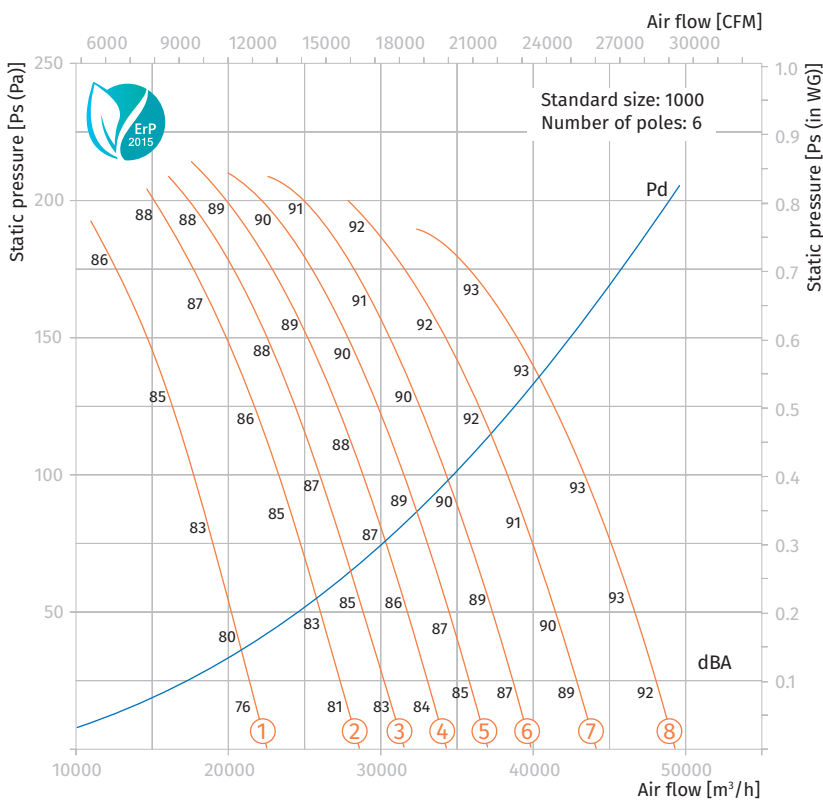


Technical data

AXIS-FP 1000-6

Size	Number of poles	Voltage [V / 50 Hz]	Model	Installed motor power Ny [kW]	RPM [min ⁻¹]	Number of blades	Blade setting angle [°]	Weight [kg]	Lenght L [mm]	Curve number on graph
1000	6	3~400	Axis-FP 1000-6D/1.5-8/25/AL	1.5	960	8	25	165.5	550	①
			Axis-FP 1000-6D/2.2-8/30/AL	2.2	960	8	30	176.5	550	②
			Axis-FP 1000-6D/2.2-8/32.5/AL	2.2	960	8	32.5	176.5	550	③
			Axis-FP 1000-6D/3-8/35/AL	3	960	8	35	190.5	650	④
			Axis-FP 1000-6D/3-8/37.5/AL	3	960	8	37.5	190.5	650	⑤
			Axis-FP 1000-6D/4-8/40/AL	4	960	8	40	204.5	650	⑥
			Axis-FP 1000-6D/5.5-8/45/AL	5.5	960	8	45	211.5	650	⑦
			Axis-FP 1000-6D/5.5-8/50/AL	5.5	960	8	50	211.5	650	⑧

Aerodynamic characteristics



AXIS-FP 1000

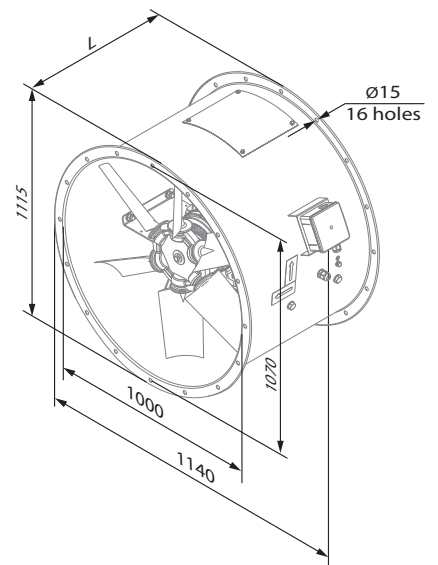
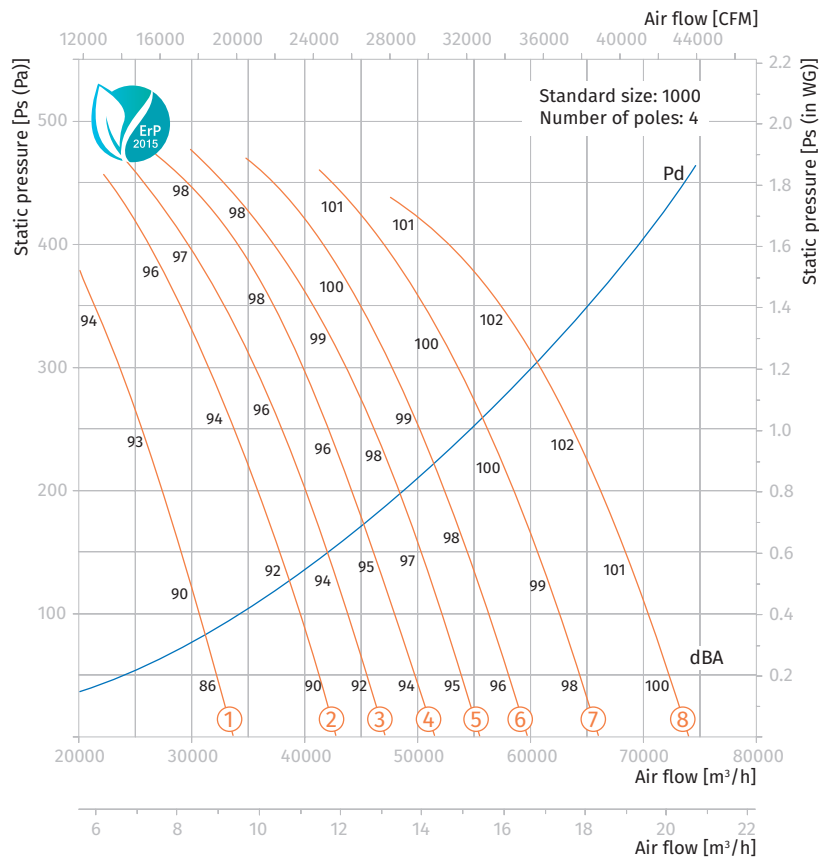
Technical data

AXIS-FP 1000-4

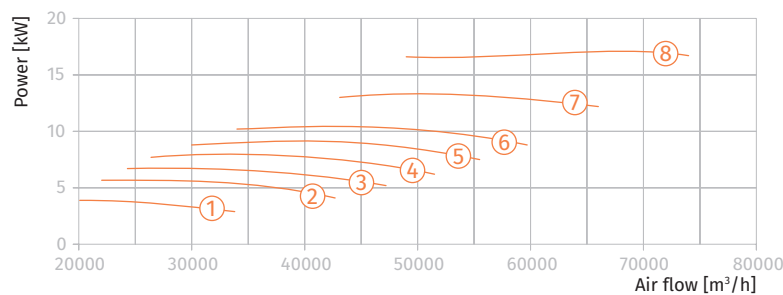
Size	Number of poles	Voltage [V / 50 Hz]	Model	Installed motor power N_y [kW]	RPM [min^{-1}]	Number of blades	Blade setting angle [°]	Weight [kg]	Lenght L [mm]	Curve number on graph
1000	4	3~400	Axis-FP 1000-4D/5.5-8/25/AL	5.5	1440	8	25	199.5	550	①
			Axis-FP 1000-4D/7.5-8/30/AL	7.5	1440	8	30	207.5	650	②
			Axis-FP 1000-4D/7.5-8/32.5/AL	7.5	1440	8	32.5	207.5	650	③
			Axis-FP 1000-4D/9.2-8/35/AL	9.2	1440	8	35	226.5	650	④
			Axis-FP 1000-4D/11-8/37.5/AL	11	1440	8	37.5	244.5	750	⑤
			Axis-FP 1000-4D/11-8/40/AL	11	1440	8	40	244.5	750	⑥
			Axis-FP 1000-4D/15-8/45/AL	15	1440	8	45	259.5	750	⑦
			Axis-FP 1000-4D/18.5-8/50/AL	18.5	1440	8	50	312.5	850	⑧
1000	4/8	3~400	Axis-FP 1000-4/8D/5/1.3-8/25/AL	5/1.3	1440/720	8	25	206.5	550	①*
			Axis-FP 1000-4/8D/7.2/1.8-8/30/AL	7.2/1.8	1440/720	8	30	218.5	650	②*
			Axis-FP 1000-4/8D/7.2/1.8-8/32.5/AL	7.2/1.8	1440/720	8	32.5	218.5	650	③*
			Axis-FP 1000-4/8D/11/3-8/35/AL	11/3	1440/720	8	35	257.5	650	④*
			Axis-FP 1000-4/8D/11/3-8/37.5/AL	11/3	1440/720	8	37.5	257.5	750	⑤*
			Axis-FP 1000-4/8D/11/3-8/40/AL	11/3	1440/720	8	40	257.5	750	⑥*
			Axis-FP 1000-4/8D/14/3.5-8/45/AL	14/3.5	1440/720	8	45	273.5	750	⑦*
			Axis-FP 1000-4/8D/17/4.3-8/50/AL	17/4.3	1440/720	8	50	273.5	850	⑧*

* maximum speed graph

Aerodynamic characteristics



Axis-FP 1000-4



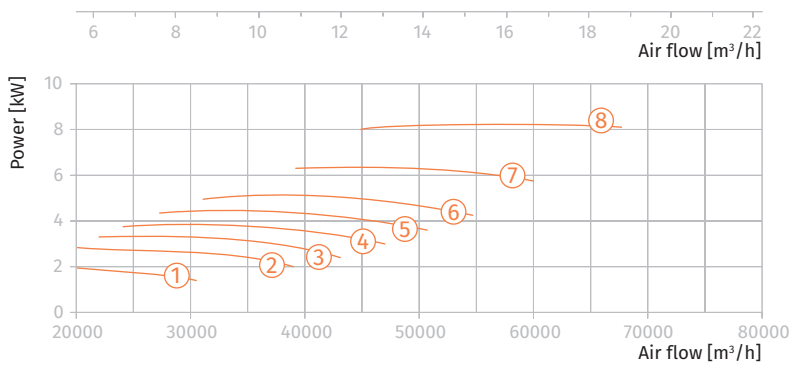
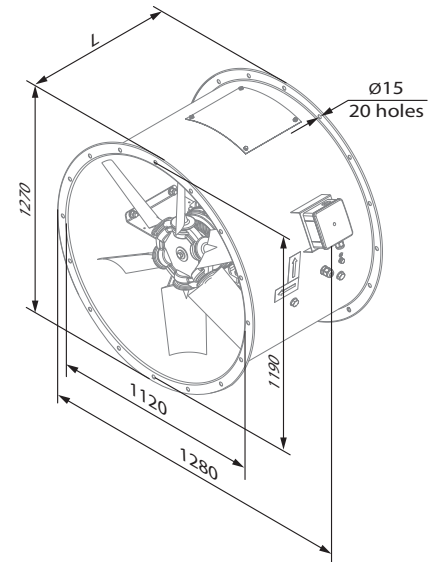
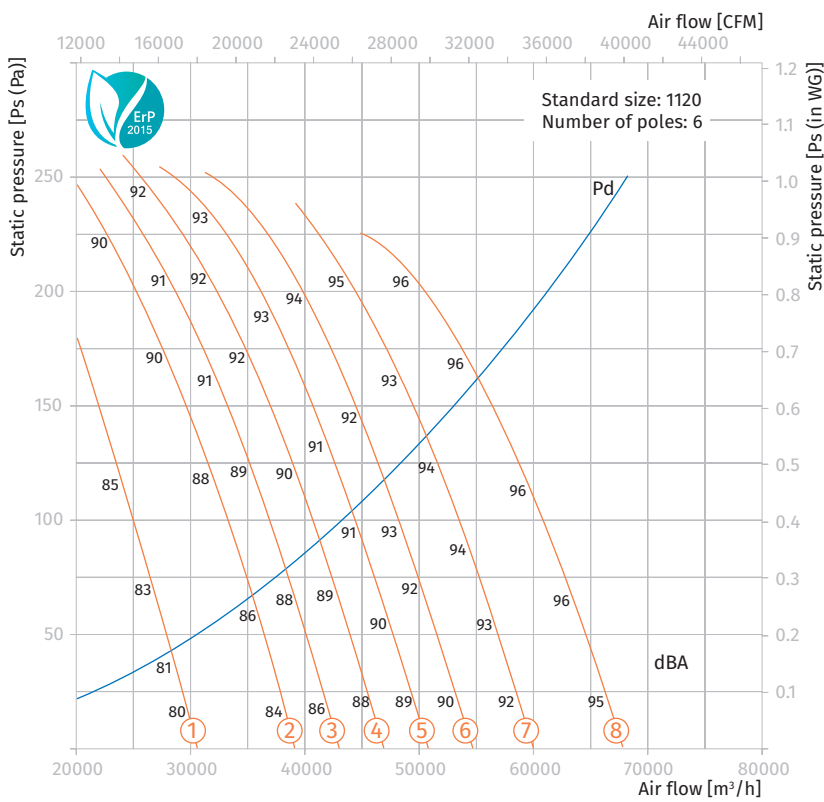
AXIS-FP 1000

Technical data

AXIS-FP 1120-6

Size	Number of poles	Voltage [V / 50 Hz]	Model	Installed motor power Ny [kW]	RPM [min ⁻¹]	Number of blades	Blade setting angle [°]	Weight [kg]	Length L [mm]	Curve number on graph
1120	6	3~400	Axis-FP 1120-6D/2.2-8/25/AL	2.2	960	8	25	195.5	550	①
			Axis-FP 1120-6D/3-8/30/AL	3	960	8	30	209.5	650	②
			Axis-FP 1120-6D/4-8/32.5/AL	4	960	8	32.5	223.5	650	③
			Axis-FP 1120-6D/4-8/35/AL	4	960	8	35	223.5	650	④
			Axis-FP 1120-6D/5.5-8/37.5/AL	5.5	960	8	37.5	230.5	650	⑤
			Axis-FP 1120-6D/5.5-8/40/AL	5.5	960	8	40	230.5	650	⑥
			Axis-FP 1120-6D/7.5-8/45/AL	7.5	960	8	45	262.5	750	⑦
			Axis-FP 1120-6D/9.2-8/50/AL	9.2	960	8	50	274.5	750	⑧

Aerodynamic characteristics



AXIS-FP 1120

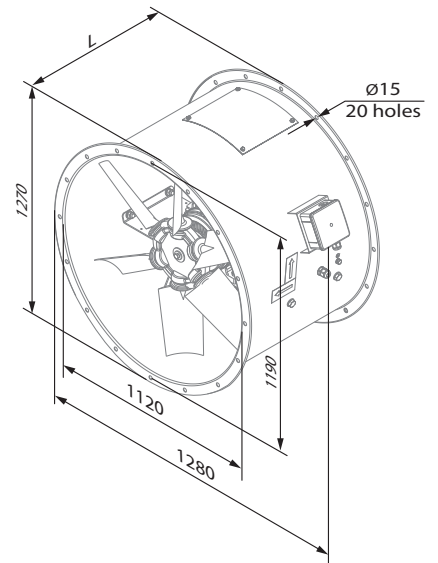
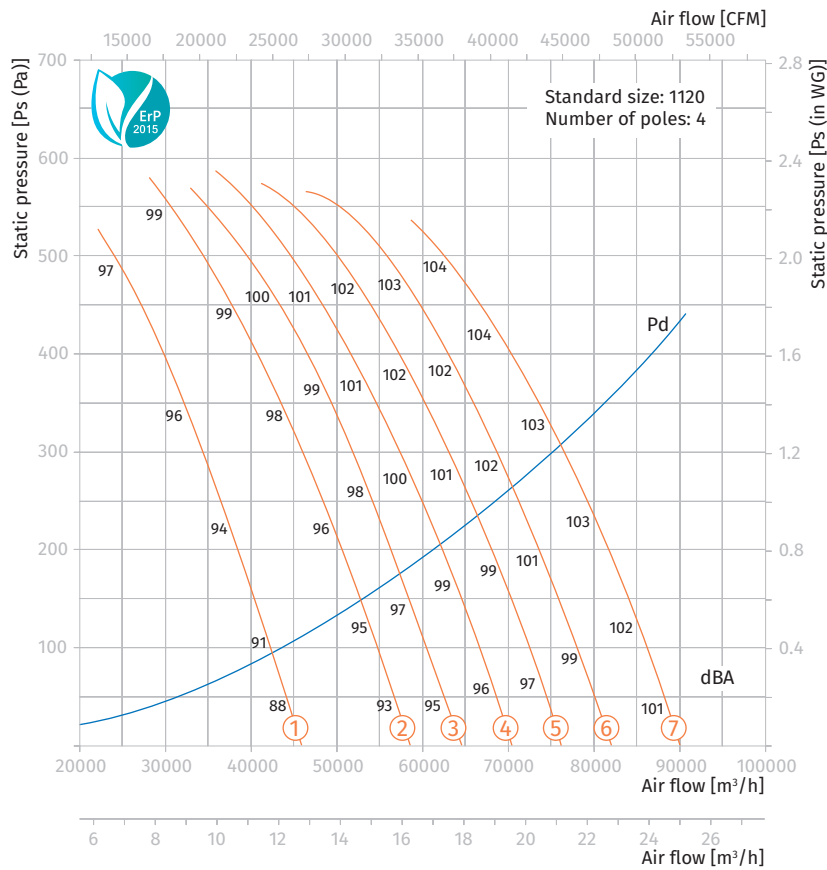
Technical data

AXIS-FP 1120-4

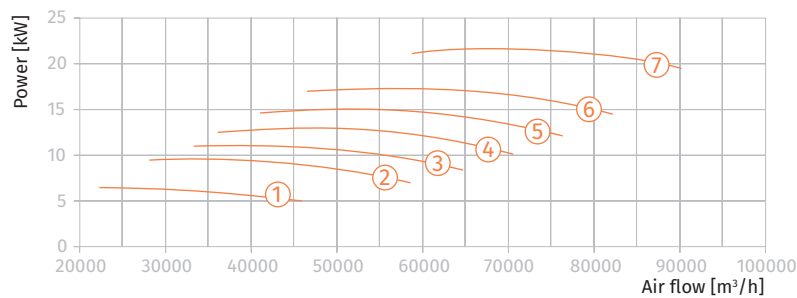
Size	Number of poles	Voltage [V / 50 Hz]	Model	Installed motor power Ny [kW]	RPM [min ⁻¹]	Number of blades	Blade setting angle [°]	Weight [kg]	Lenght L [mm]	Curve number on graph
1120	4	3~400	Axis-FP 1120-4D/7.5-8/25/AL	7.5	1440	8	25	226.5	650	①
			Axis-FP 1120-4D/11-8/30/AL	11	1440	8	30	263.5	750	②
			Axis-FP 1120-4D/11-8/32.5/AL	11	1440	8	32.5	263.5	750	③
			Axis-FP 1120-4D/15-8/35/AL	15	1440	8	35	278.5	750	④
			Axis-FP 1120-4D/18.5-8/37.5/AL	18.5	1440	8	37.5	331.5	850	⑤
			Axis-FP 1120-4D/18.5-8/40/AL	18.5	1440	8	40	331.5	850	⑥
			Axis-FP 1120-4D/22-8/45/AL	22	1440	8	45	342.5	850	⑦
1120	4/8	3~400	Axis-FP 1120-4/8D/7.2/1.8-8/25/AL	7.2/1.8	1440/720	8	25	237.5	650	①*
			Axis-FP 1120-4/8D/11/3-8/30/AL	11/3	1440/720	8	30	276.5	750	②*
			Axis-FP 1120-4/8D/11/3-8/32.5/AL	11/3	1440/720	8	32.5	276.5	750	③*
			Axis-FP 1120-4/8D/14/3.5-8/35/AL	14/3.5	1440/720	8	35	292.5	750	④*
			Axis-FP 1120-4/8D/17/4.3-8/37.5/AL	17/4.3	1440/720	8	37.5	319.5	850	⑤*
			Axis-FP 1120-4/8D/20/5-8/40/AL	20/5	1440/720	8	40	334.5	850	⑥*
			Axis-FP 1120-4/8D/28/6.5-8/45/AL	28/6.5	1440/720	8	45	392.5	850	⑦*

* maximum speed graph

Aerodynamic characteristics



Axis-FP 1120-4



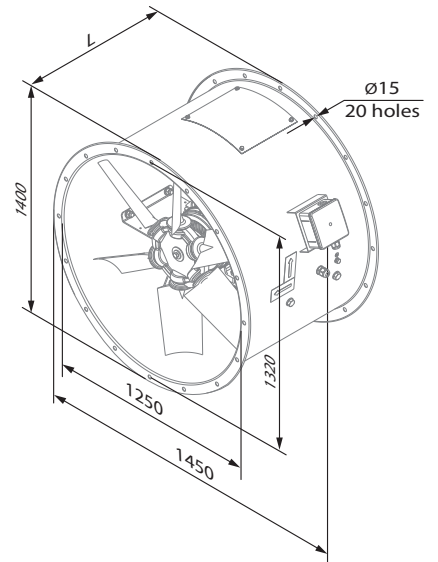
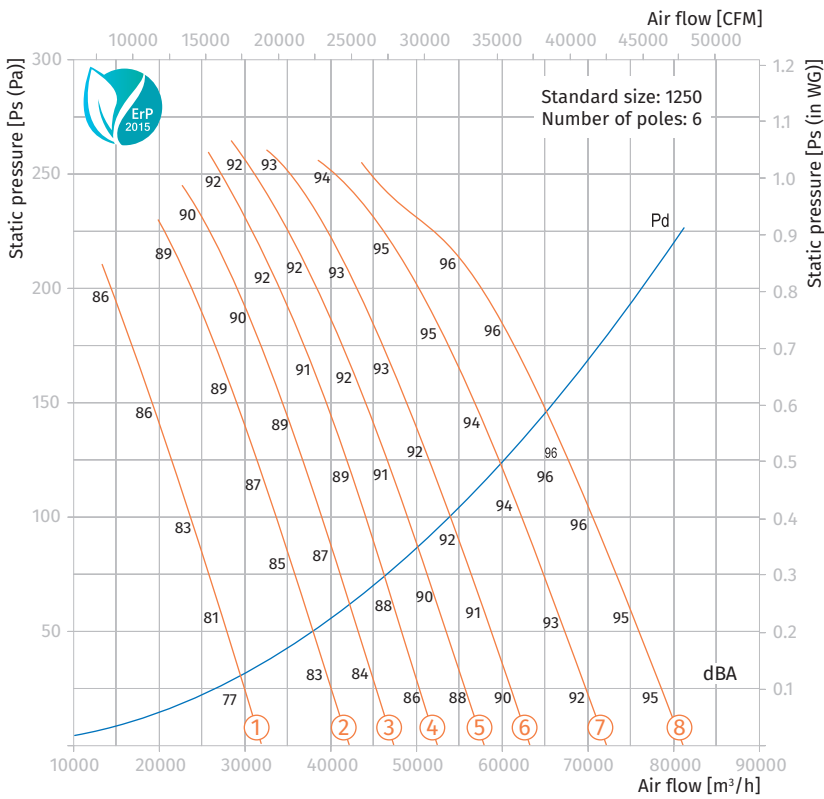
AXIS-FP 1120

Technical data

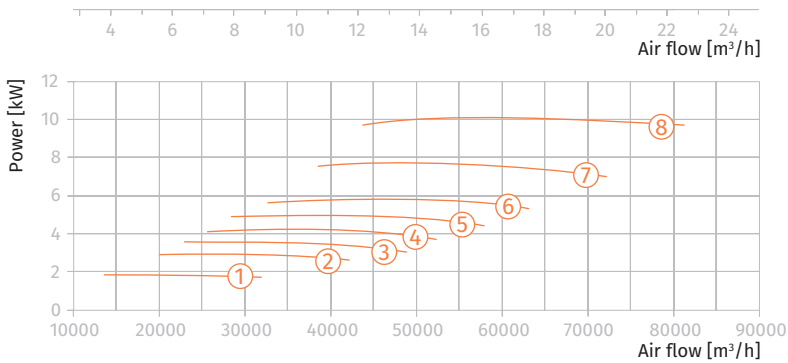
AXIS-FP 1250-6

Size	Number of poles	Voltage [V / 50 Hz]	Model	Installed motor power N_y [kW]	RPM [min ⁻¹]	Number of blades	Blade setting angle [°]	Weight [kg]	Length L [mm]	Curve number on graph
1250	6	3~400	Axis-FP 1250-6D/2.2-8/25/AL	2.2	960	8	25	214.5	550	①
			Axis-FP 1250-6D/3-8/30/AL	3	960	8	30	228.5	650	②
			Axis-FP 1250-6D/4-8/32.5/AL	4	960	8	32.5	242.5	650	③
			Axis-FP 1250-6D/5.5-8/35/AL	5.5	960	8	35	249.5	650	④
			Axis-FP 1250-6D/5.5-8/37.5/AL	5.5	960	8	37.5	249.5	650	⑤
			Axis-FP 1250-6D/7.5-8/40/AL	7.5	960	8	40	281.5	750	⑥
			Axis-FP 1250-6D/9.2-8/45/AL	9.2	960	8	45	293.5	750	⑦
			Axis-FP 1250-6D/11-8/50/AL	11	960	8	50	306.5	750	⑧

Aerodynamic characteristics



Axis-FP 1250-6



AXIS-FP 1250

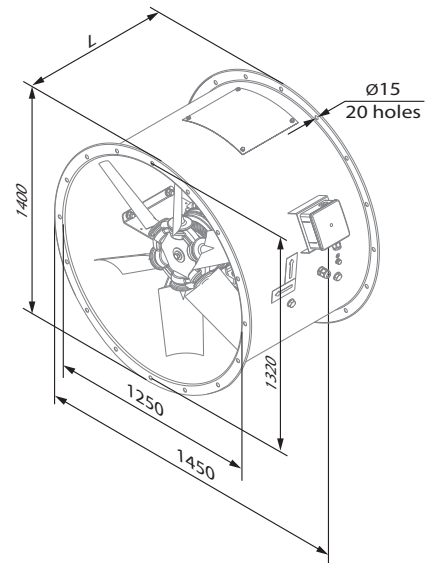
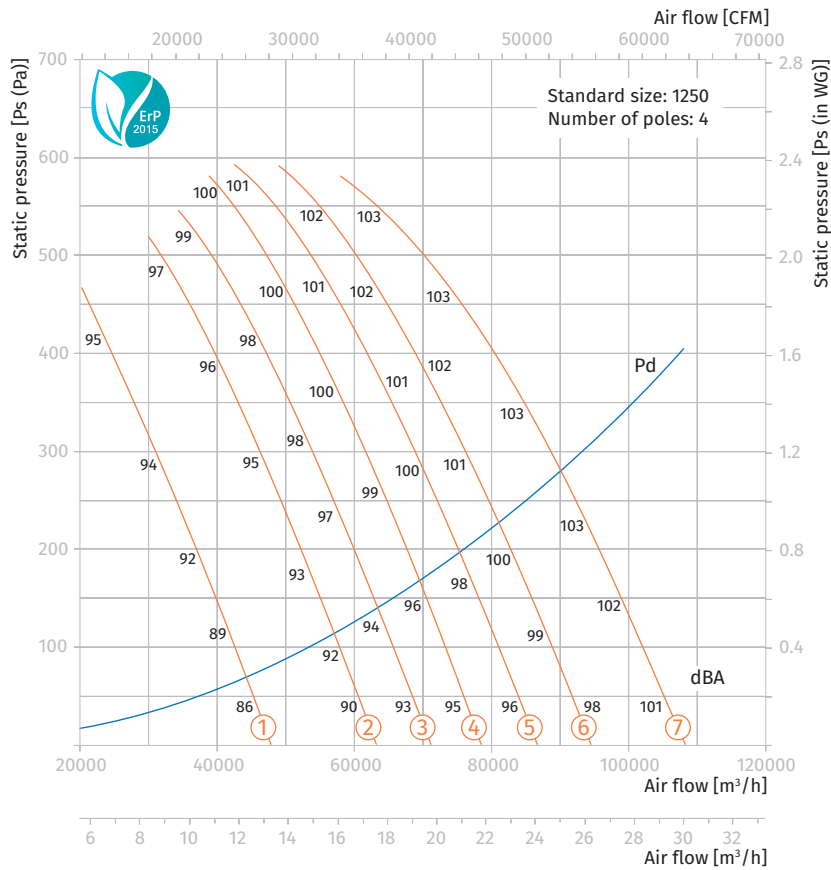
Technical data

AXIS-FP 1250-4

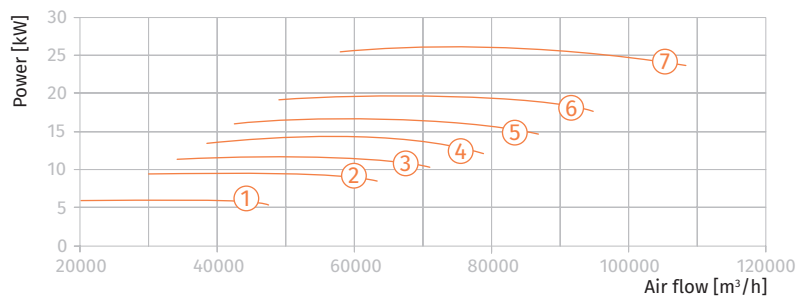
Size	Number of poles	Voltage [V / 50 Hz]	Model	Installed motor power N_y [kW]	RPM [min^{-1}]	Number of blades	Blade setting angle [°]	Weight [kg]	Lenght L [mm]	Curve number on graph
1250	4	3~400	Axis-FP 1250-4D/7.5-8/25/AL	7.5	1440	8	25	245.5	650	①
			Axis-FP 1250-4D/11-8/30/AL	11	1440	8	30	282.5	750	②
			Axis-FP 1250-4D/15-8/32.5/AL	15	1440	8	32.5	297.5	750	③
			Axis-FP 1250-4D/15-8/35/AL	15	1440	8	35	297.5	750	④
			Axis-FP 1250-4D/18.5-8/37.5/AL	18.5	1440	8	37.5	350.5	850	⑤
			Axis-FP 1250-4D/22-8/40/AL	22	1440	8	40	361.5	850	⑥
			Axis-FP 1250-4D/30-8/45/AL	30	1440	8	45	424.5	850	⑦
1250	4/8	3~400	Axis-FP 1250-4/8D/7.2/1.8-8/25/AL	7.2/1.8	1440/720	8	25	256.5	650	①*
			Axis-FP 1250-4/8D/11/3-8/30/AL	11/3	1440/720	8	30	295.5	750	②*
			Axis-FP 1250-4/8D/14/3.5-8/32.5/AL	14/3.5	1440/720	8	32.5	311.5	750	③*
			Axis-FP 1250-4/8D/14/3.5-8/35/AL	14/3.5	1440/720	8	35	311.5	750	④*
			Axis-FP 1250-4/8D/17/4.3-8/37.5/AL	17/4.3	1440/720	8	37.5	338.5	850	⑤*
			Axis-FP 1250-4/8D/20/5-8/40/AL	20/5	1440/720	8	40	353.5	850	⑥*
			Axis-FP 1250-4/8D/28/6.5-8/45/AL	28/6.5	1440/720	8	45	411.5	850	⑦*

* maximum speed graph

Aerodynamic characteristics



Axis-FP 1250-4



AXIS-FP 1250